



MINALOX s.r.o.

🌐 minalox.sk
📍 Malé Leváre 520
90874 Malé Leváre
Slovakia

THE ZENITH OF CABINET LED SOLUTION

APPLICATION MANUAL

MINALOX
LIGHTING

THE ZENITH OF
CABINET LED SOLUTION

COMPANY

MINALOX specializes in premium LED lighting solutions focused on visual comfort, long-term reliability, and modern interior integration.

Our product philosophy combines high-quality components, precise manufacturing, and lighting designed for everyday wellbeing. We focus on practical functionality, clean aesthetics, and easy installation for residential and commercial applications.

With years of experience in lighting technologies and intelligent control systems, MINALOX delivers solutions that combine design, efficiency, and user comfort.

We continuously develop products that meet the expectations of architects, designers, furniture manufacturers, and demanding end customers across Europe.

CONTENTS

A

Sensor Switch Series

★ Central Controlling Led Sensor Switch Series	05-12
★ Smart Wireless Remote Control Series	13-16
★ High Voltage Sensor Switch Series	17-18
★ PCBA Sensor Switch Series	19-20
01 IR Sensor Switch Series	23-26
02 Touch Sensor Switch Series	27-30
03 PIR Sensor Switch Series	31-32
04 Mirror Switch Series	33-36
05 Hidden Sensor Switch Series	37-38
06 Mechanical Switch Series	39-42

B

LED Light Series

★ LED Welding-Free Strip Lights	47-60
★ All Black Strip Lights	61-62
01 LED Under Cabinet Lights	65-68
02 LED Drawer Lights	69-74
03 LED Wardrobe Lights	75-78
04 LED Shelf Lights	79-86
05 Anti-Glare Strip Lights	87-90
06 Battery Cabinet Lights	91-92
07 LED Panel Lights	93-94
08 LED Puck Lights	95-106
09 Jewelry Lights / Track Lights	107-120

C

LED Driver Series

01 Serial number: PZ	125-126
02 Serial number: FG	127-128
03 Serial number: G	129-130
04 Serial number: T1	131-132
05 Serial number: T2	133-134
06 Serial number: A	135-136

D

Flexible Light Series

01 COB Flexible Light Series	141-146
02 SCOB Flexible Light Series	147-148
03 SMD Flexible Light Series	149-150
04 Quick Connector Series	151-152

E

Accessories Series

01 Accessories Series	155
02 Show Panel Series	156
03 Aluminium Profile Appendix	157-162

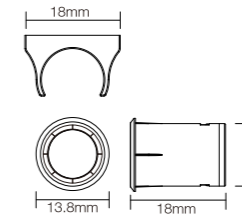




Central Controlling Led Sensor Switch Series

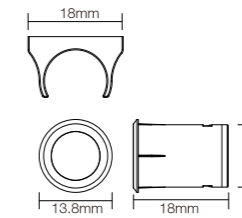
LED SENSOR SWITCH SERIES (Central controlling led sensor switch series)

MLX-S2A-JA0 Door trigger sensor switch



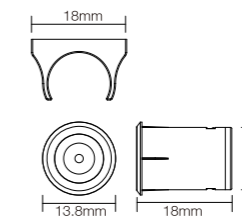
Model	MLX-S2A-JA0
Hole Size	Φ12X18mm
Voltage	DC12V-24V
Function	Sensing distance 5~8cm
Material	Plastic, Black / White
Installation	Recessed / Surfaced

MLX-S3B-JA0 Hand shaking sensor switch



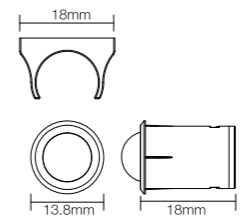
Model	MLX-S3B-JA0
Hole Size	Φ12X18mm
Voltage	DC12V-24V
Function	Sensing distance 5~8cm
Material	Plastic, Black / White
Installation	Recessed / Surfaced

MLX-S4B-JA0 Touch sensor switch



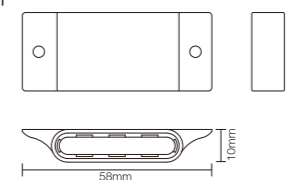
Model	MLX-S4B-JA0
Hole Size	Φ12X18mm
Voltage	DC12V-24V
Function	ON/OFF/Dimmer
Material	Plastic, Black / White
Installation	Recessed / Surfaced

MLX-S6A-JA0 PIR sensor switch



Model	MLX-S6A-JA0
Hole Size	Φ12X18mm
Voltage	DC12V-24V
Function	Sensing time 30s
Material	Plastic, Black / White
Installation	Recessed / Surfaced

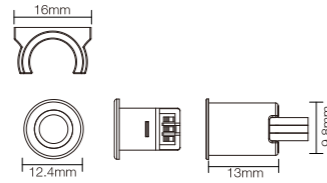
MLX-S2A-JA1 Double door trigger sensor switch



Model	MLX-S2A-JA1
Hole Size	38x26x8mm
Voltage	DC12V-24V
Function	Sensing distance 3~6cm
Material	Plastic, Black / White
Installation	Recessed / Surfaced

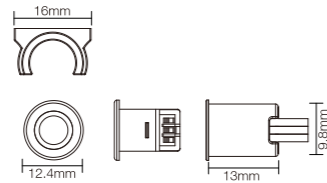
LED SENSOR SWITCH SERIES (10mm series--Central control)

MLX-SJ5-2A Door trigger sensor switch



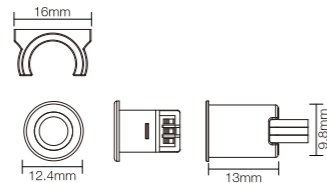
Model MLX-SJ5-2A
Hole Size $\Phi 10 \times 13 \text{mm}$
Voltage DC 12V&24V
Function Sensing distance 5~8cm
Material Plastic, Black / White
Installation Recessed / Surfaced

NLX-SJ5-3B Hand shaking sensor switch



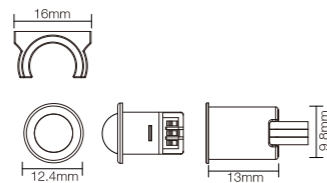
Model MLX-SJ5-3B
Hole Size $\Phi 10 \times 13 \text{mm}$
Voltage DC 12V&24V
Function Sensing distance 5~8cm
Material Plastic, Black / White
Installation Recessed / Surfaced

MLX-SJ5-4B Touch sensor switch

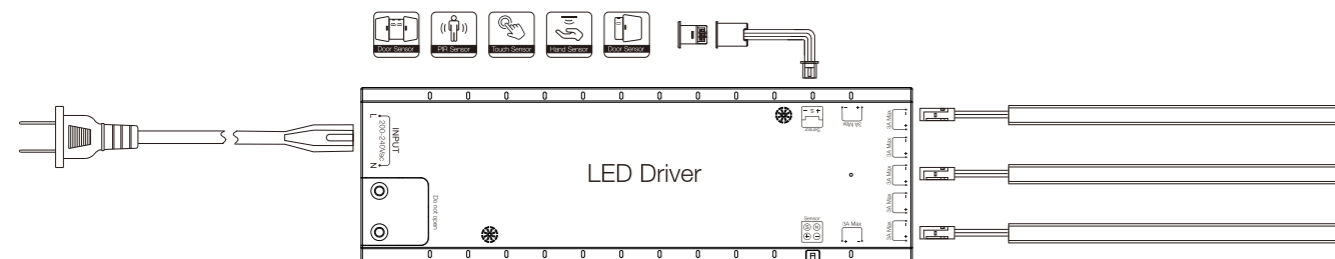


Model MLX-SJ5-4B
Hole Size $\Phi 10 \times 13 \text{mm}$
Voltage DC 12V&24V
Function ON/OFF/Dimmer
Material Plastic, Black / White
Installation Recessed / Surfaced

MLX-SJ5-6A PIR sensor switch



Model MLX-SJ5-6A
Hole Size $\Phi 10 \times 13 \text{mm}$
Voltage DC 12V&24V
Function Sensing time 30s
Material Plastic, Black / White
Installation Recessed / Surfaced



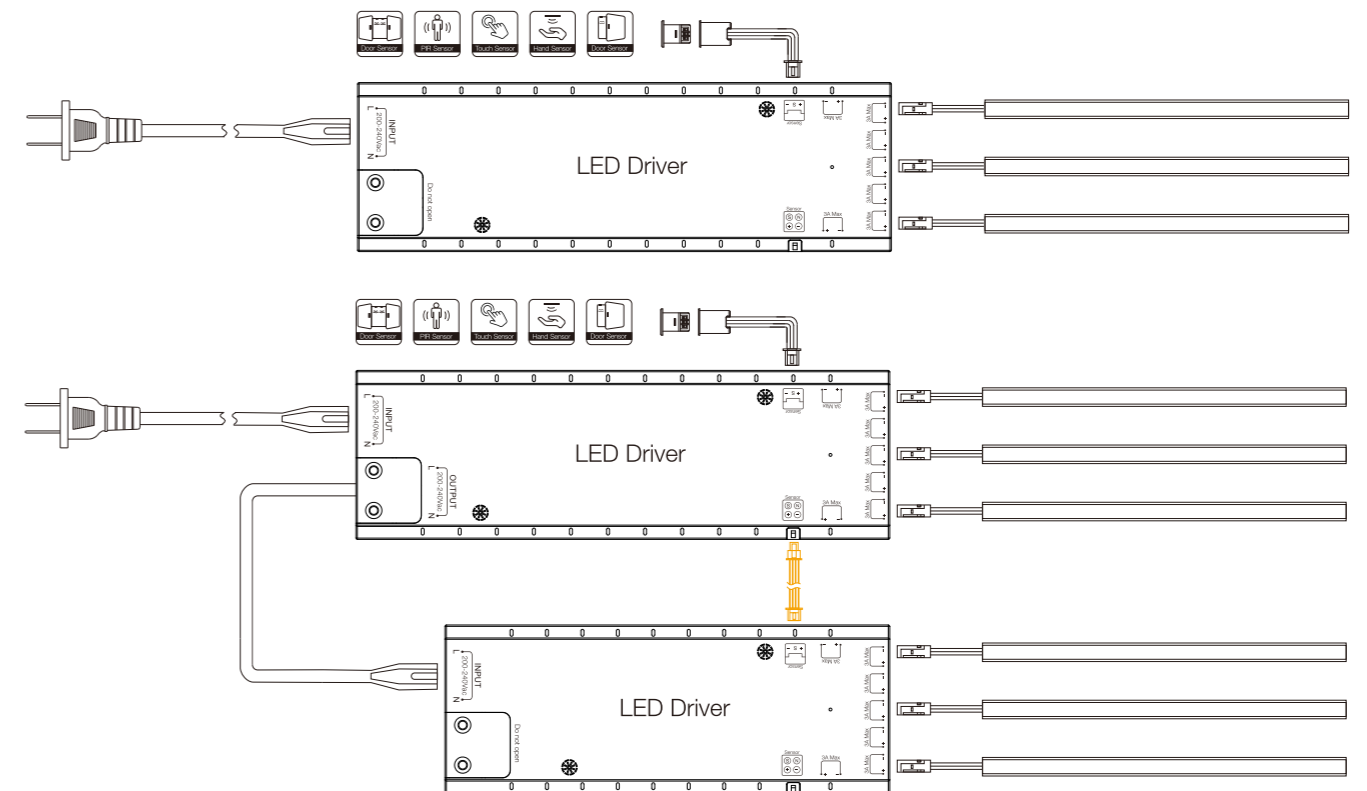
LED DRIVER SERIES (15MM THICKNESS)

12V & 24V System Both



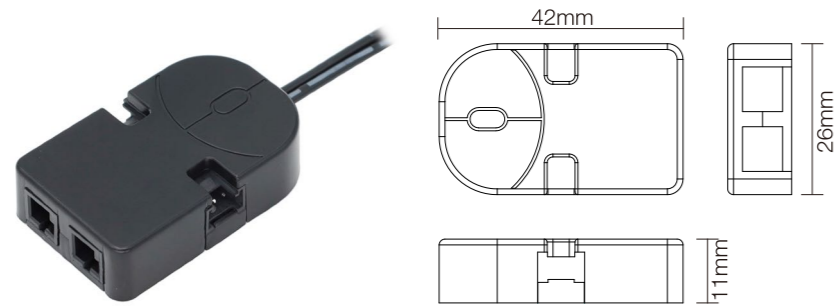
Model	Size	Input Voltage	Output Voltage	Max Wattage	PF
MLX-PZ5B-xx10E(-EC)	150x57x15mm	200-240Vac	DC12V / 24V	10W	0.5 (0.8)
MLX-PZ5B-xx20E(-EC)	150x57x15mm	200-240Vac	DC12V / 24V	20W	0.5 (0.8)
MLX-PZ5B-xx40E(-EC)	180x57x15mm	200-240Vac	DC12V / 24V	40W	0.5 (0.95)
MLX-PZ5B-xx60E(-EC)	210x75x15mm	200-240Vac	DC12V / 24V	60W	0.5 (0.95)
MLX-PZ5B-xx100E(-EC)	230x75x15mm	200-240Vac	DC12V / 24V	100W	0.5 (0.95)
MLX-PZ5B-xx150E(-EC)	230x75x15mm	200-240Vac	DC24V	150W	0.5 (0.95)

xx (12V or 24V)



MOUSE BOX (MULTI-FUNCTION)

Available both 10mm & 12mm Sensor Series



Model : MLX-SJ1 / MLX-SJ1U / MLX-SJ1V

Size : 42x26x11mm

Voltage: DC12V-24V

Material : Plastic, Black / White

MLX-SJ1 (Regular)

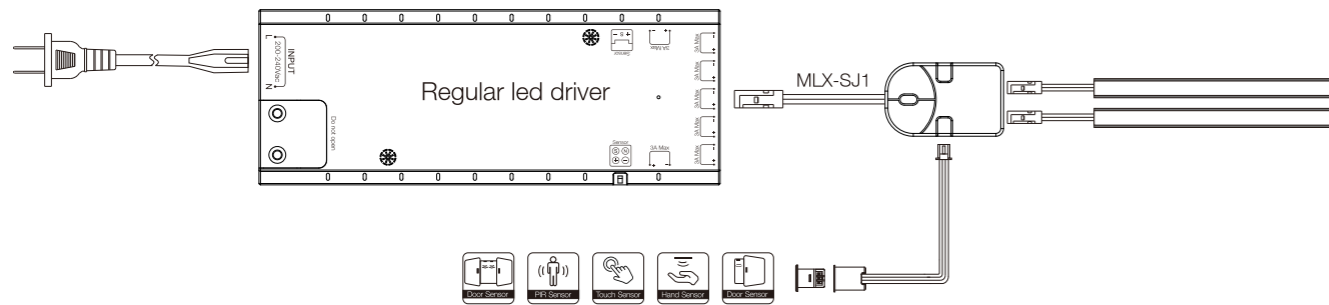
MLX-SJ1U (Door Trigger / PIR Sensor)

MLX-SJ1V (Hand Shaking / Touch Sensor)

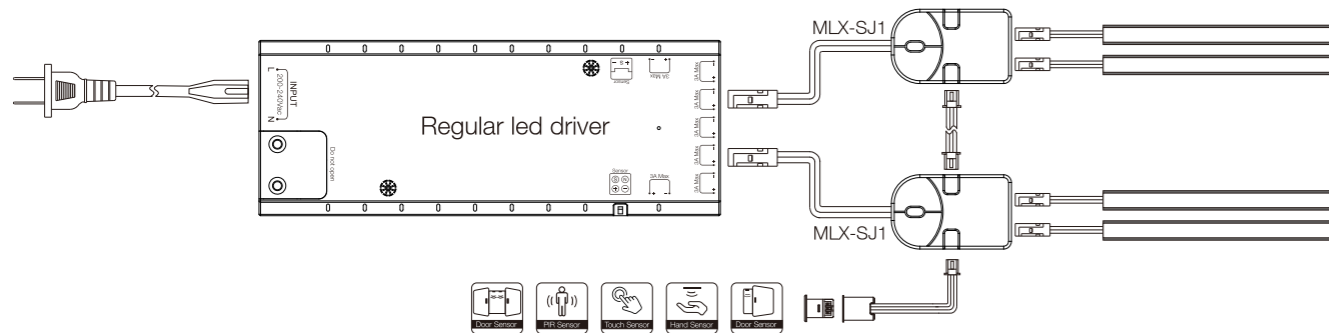
MLX-SJ1

Connection Diagram: Central Controlling LED Sensor Switches System + Mouse box
(LED sensor can be used with other type LED driver)

Connection 1

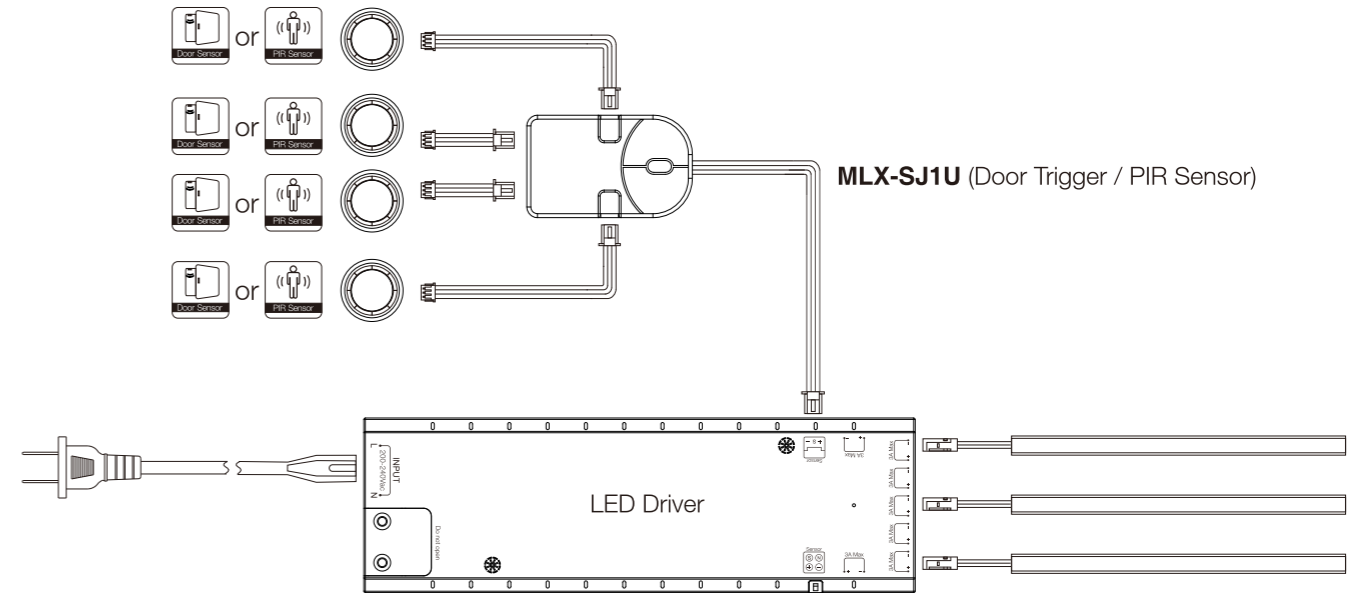


Connection 2



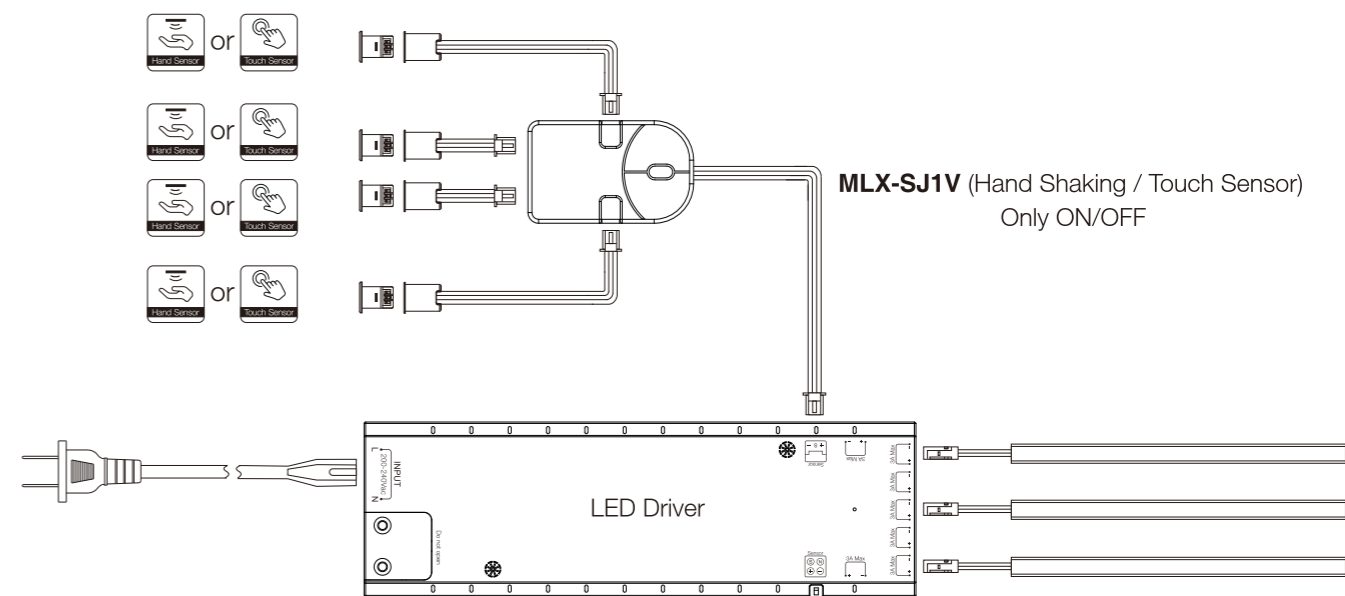
MLX-SJ1U

Multi Door or PIR Sensor in one Mouse box from 1 to 4 pcs sensing head

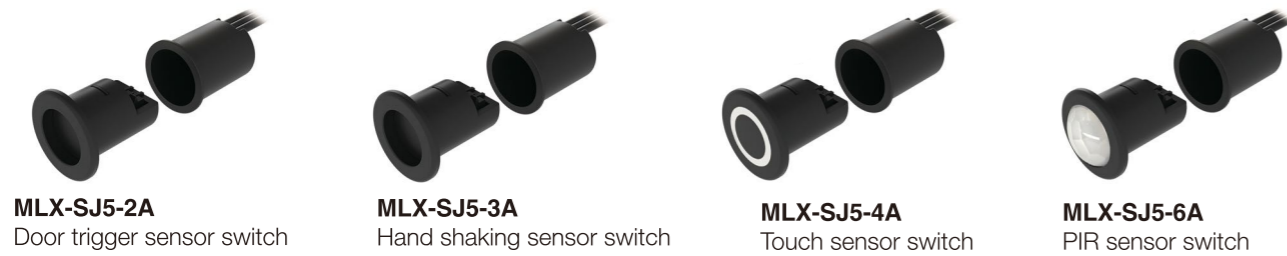
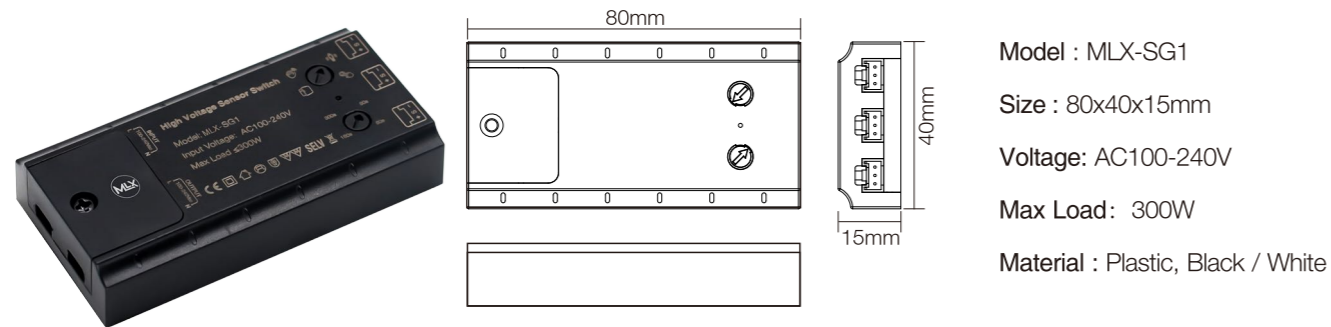


MLX-SJ1V

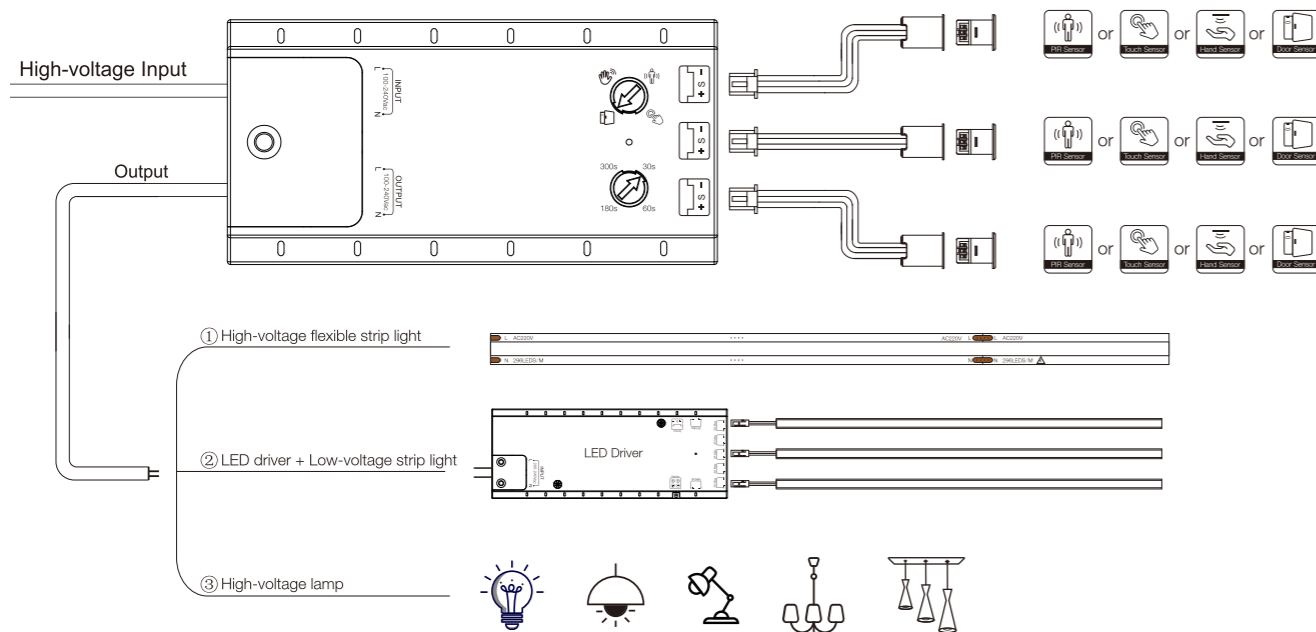
Multi Shaking or Touch Sensor in one Mouse box from 1 to 4 pcs sensing head



MLX-SG1 High Voltage Sensor Switch Series (Central Control Series)



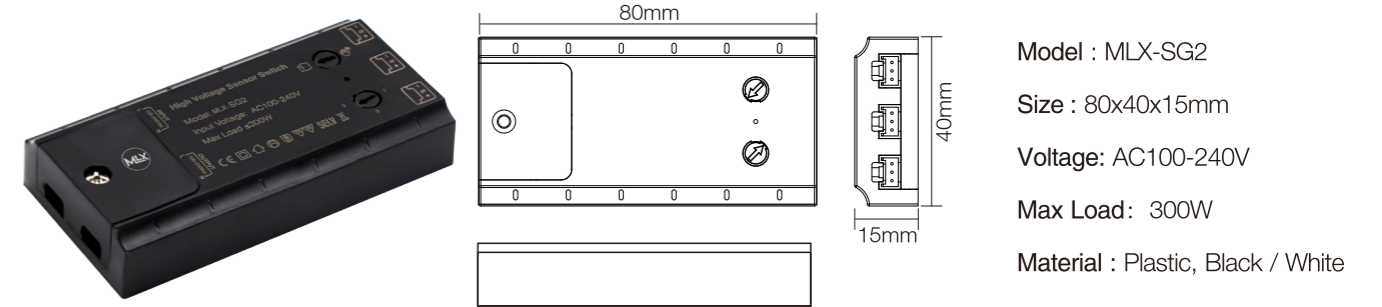
Universal High-Voltage Box can realize all functions by connecting different sensing head. Multi head available from 1 to 3. PIR Sensor can adjust with different times.



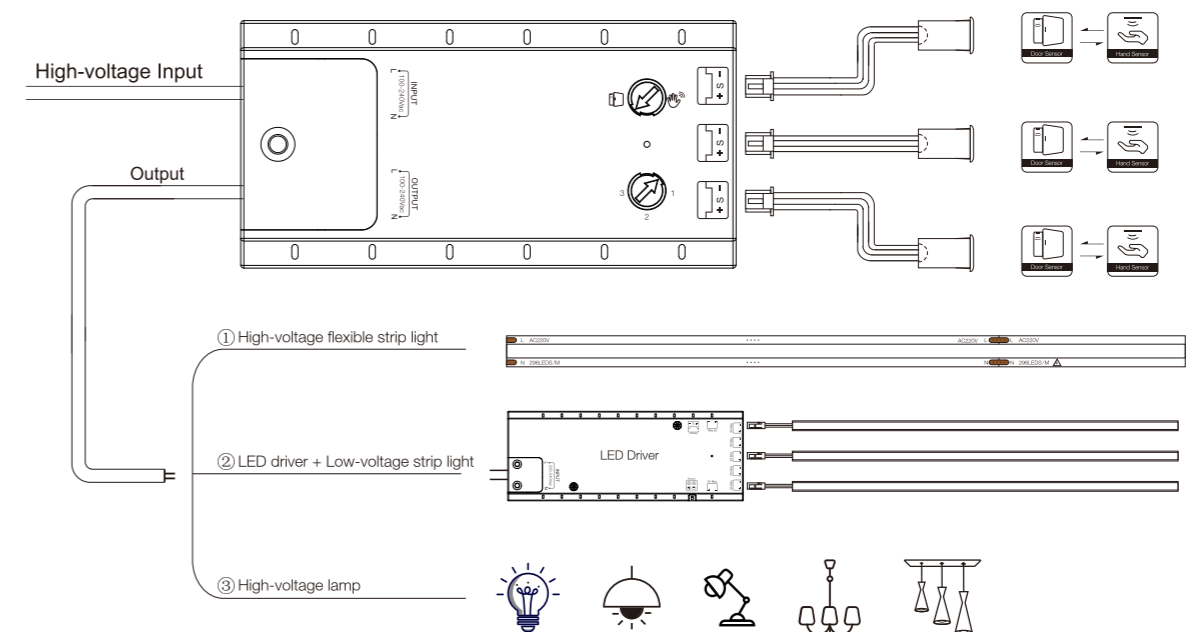
Different Function by Rotating the knob
 Mode 1. Hand shaking
 Mode 2. Door trigger
 Mode 3. Touch sensor
 Mode 4. PIR Sensor

In PIR Sensor Mode,
 Different times available
 by Rotating the knob,
 such as 30S/60S,etc.

MLX-SG2 High Voltage Sensor Switch Series (Regular IR Series)



High voltage IR Sensor switches can exchange function between hand shaking and door trigger, Multi head from 1 to 3 by rotating the knob.



Different Function by Rotating the knob
 Mode 1: Hand shaking
 Mode 2: Door Trigger

Multi Head options by Rotating the knob
 Mode 1: One Head
 Mode 2: Double Head
 Mode 3: Triple Head



SMART WIRELESS REMOTE CONTROLLER SYSTEM

Sender Part

MLX-S5B-A0-P1



Single Touch Wireless Sender
(Magnet door sensor function)

Working Frequency	2.4GHz
Modulation Mode	GFSK
Working Voltage	2.3~3.6V (Battery type: CR2032)
Launch Distance	20m (Without barrier)
Size	56x50x13mm

MLX-S5B-A0-P2



PIR Motion Sensor Wireless Sender
(Dimming Function)

Working Frequency	2.4GHz
Modulation Mode	GFSK
Working Voltage	2.3~3.6V (Battery type: CR2032)
Launch Distance	20m (Without barrier)
Size	56x50x13mm

MLX-S5B-A0-P3



Dimming & CCT Adjusting Wireless Sender
(Magnet door sensor function)

Working Frequency	2.4GHz
Modulation Mode	GFSK
Working Voltage	2.3~3.6V (Battery type: CR2032)
Launch Distance	20m (Without barrier)
Size	56x50x13mm

One to multi control

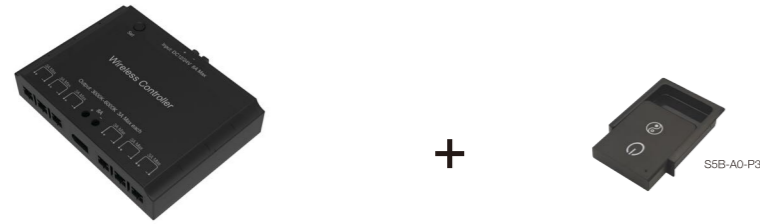
- One sender can control multiple receivers; (Theoretically unlimited quantity within the receiving range)

Multi to one control

- One receiver can be controlled by multiple Senders (<5)

Receiver Part-Direction Connection

MLX-SD1-R1



CCT Adjusting Wireless Receiver

Connection way 2.4GHz & Tuya
Modulation Mode GFSK
Working voltage DC12V/24V, 8A
Max load wattage 72W
Size 75x54x15mm

MLX-SD1-R2



Single Wireless Receiver

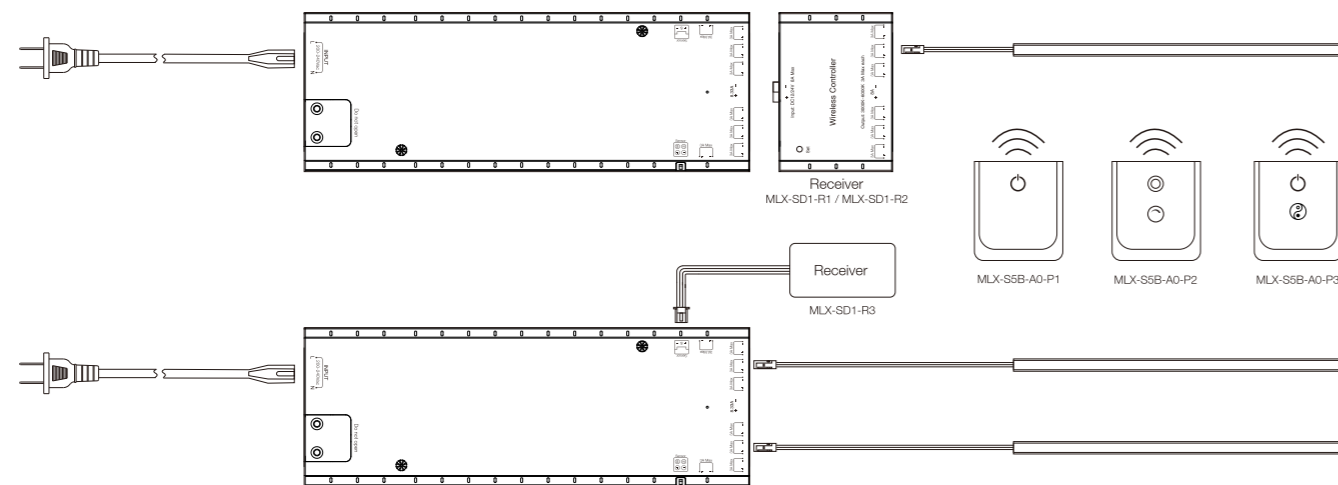
Connection way 2.4GHz & Tuya
Modulation Mode GFSK
Working voltage DC12V/24V, 8A
Max load wattage 100W
Size 75x54x15mm

MLX-SD1-R3



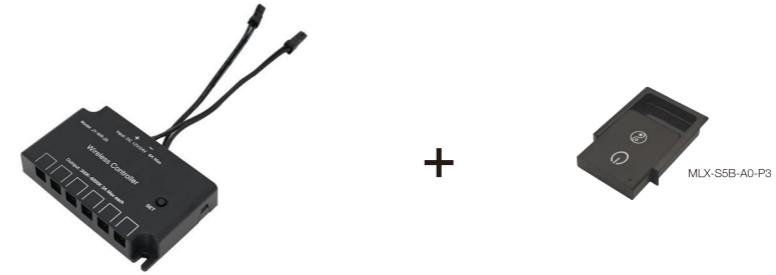
Single Wireless Receiver (Central control)

Connection way 2.4GHz & Tuya
Modulation mode GFSK
Working voltage DC12V/24V
Max load wattage /
Size 47x26x15mm



Receiver Part-Wire Connection

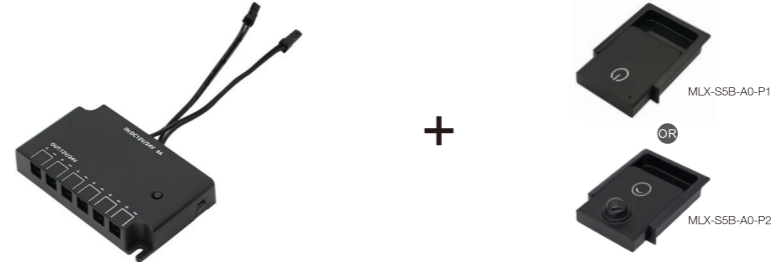
MLX-S5B-A0-P6



CCT Adjusting Wireless Receiver

Connection way 2.4GHz & Tuya
Modulation Mode GFSK
Working voltage DC12V/24V, 6A
Max load wattage 72W
Size 76x47x15mm

MLX-S5B-A0-P5



Single Wireless Receiver

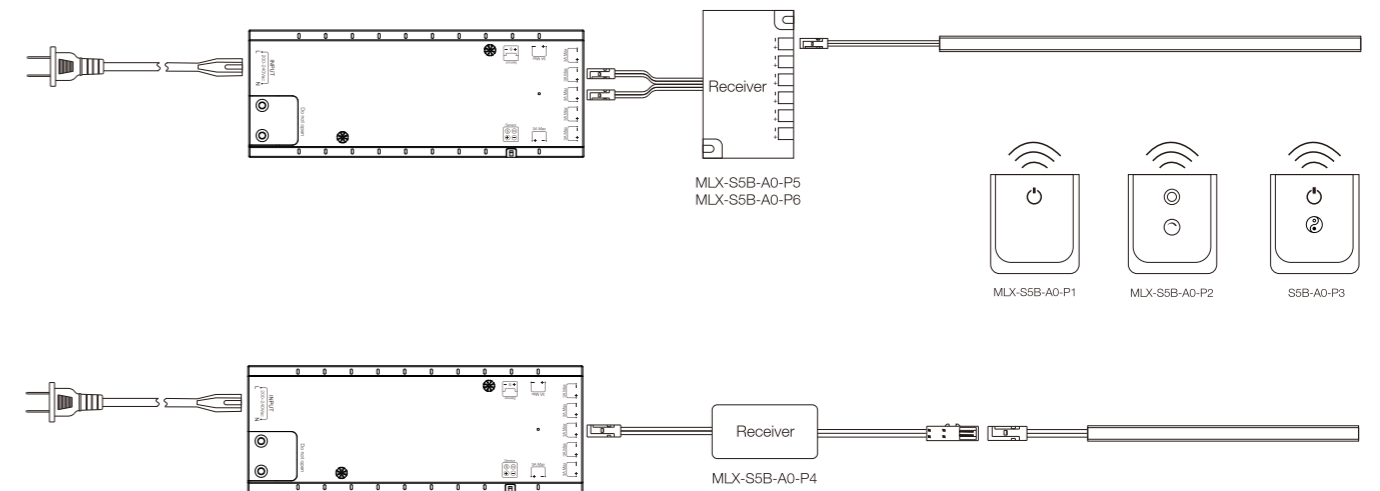
Connection way 2.4GHz & Tuya
Modulation Mode GFSK
Working voltage DC12V/24V, 6A
Max load wattage 100W
Size 76x47x15mm

MLX-S5B-A0-P4



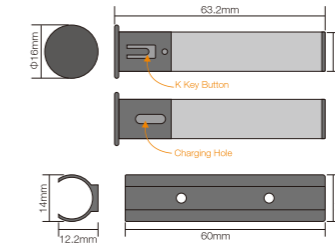
Single Wireless Receiver

Connection way 2.4GHz & Tuya
Modulation mode GFSK
Working voltage DC12V/24V, 5A
Max load wattage 60W
Size 47x26x15mm





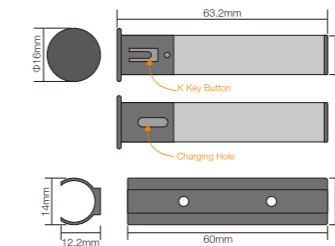
MLX-LJ5B-A0-P1 Sender



Wireless Touch Dimmer Sensor Switch

Rechargeable Lithium battery with Type C Output	
Working Voltage	3.7V (200mAH)
Launch Distance	15m (Without barrier)
Size	Φ16x63.2mm
Installation	Recessed / Surfaced
Hole size	Φ12mm

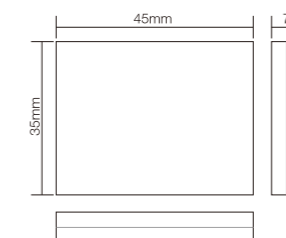
MLX-LJ5B-A0-P2 Sender



Wireless Door Sensor & Hand Shaking Sensor

Rechargeable Lithium battery with Type C Output	
Working Voltage	3.7V (200mAH)
Launch Distance	15m (Without barrier)
Size	Φ16x63.2mm
Installation	Recessed / Surfaced
Hole size	Φ12mm

MLX-LJ5B-A0-P3 Receiver



Receiver

Working Voltage	DC 12V&24V
Max Wattage	60W
Cable length	100mm (Black)
Size	45x35x7mm
Sender available	LJ5B-A0-P1 / LJ5B-A0-P2

Function of K key button

MLX-LJ5B-A0-P1

Short press the K key to switch the function in the touch mode, and it will be indicated by the number of D4 flashes.
 Mode 1: Touch on and off, D4 flashes one time.
 Mode 2: Short touch to turn on and off, long touch to dim, D4 flashes twice.

MLX-LJ5B-A0-P2

Short press the K key to switch between three modes (Hand shaking/Door trigger), and it will be indicated by the number of D4 flashes.
 Mode 1: On and off of the hand shaking function, D4 flashes one time.
 Mode 2: On and off and dimming of hand shaking function, D4 flashes twice.
 Mode 3: Door trigger, D4 flashes three times.

PCBA Sensor Switch Series

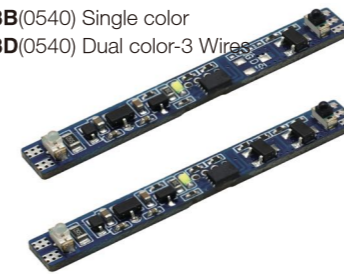
(Hand Shaking / Touch Sensor / PIR Sensor)



Hand sweeping sensor-Without Opening Holes-5mm

MLX-SP1-3B(0540) Single color

MLX-SP1-3D(0540) Dual color-3 Wires



SP1-3B

SP1-3D



Size 40x5mm
Voltage DC 12&24V, 2.5A
Function Delay ON/OFF in 2S
Detecting Range 5%-100%
Self-adjusting time 6S
Memory function in state and brightness
In OFF state, keep swiping for 3S-CCT change

Hand sweeping sensor-Without Opening Holes-8mm

MLX-SP1-3B(0840) Single color

MLX-SP1-3D(0840) Dual color-3 Wires



SP1-3B

SP1-3D

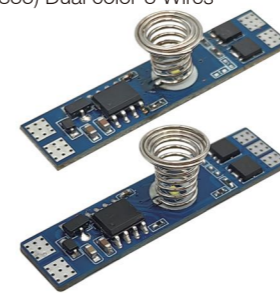


Size 40x8mm
Voltage DC 12&24V, 2.5A
Function Delay ON/OFF in 2S
Detecting Range 5%-100%
Self-adjusting time 6S
Memory function in state and brightness
In OFF state, keep swiping for 3S-CCT change

Touch dimmer sensor-8mm

MLX-SP1-4B(0835) Single color

MLX-SP1-4D(0835) Dual color-3 Wires



SP1-4B

SP1-4D



Size 35x8mm
Voltage DC 12&24V, 5A
Function Delay ON/OFF in 2S
Detecting Range 5%-100%
Memory function in state and brightness
In OFF state, keep swiping for 3S- CCT change

PIR Sensor

SP1-6A(0840) Single color

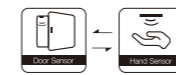


Size 35x10mm
Voltage DC 12&24V, 5A
Function Delay ON/OFF in 2S
Sensing distance 1-3m
Sensing time: 30s-60s-180s-300s for option



01

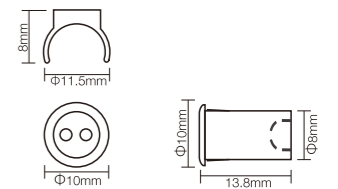
IR SENSOR SWITCH SERIES (Door Trigger & Hand Shaking)



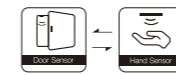
- White
- Black



Model	MLX-SXA-B4	MLX-SXA-2B4
Function	Dual Function IR Sensor (Single)	Dual Function IR Sensor (Double)
Size	Φ10x13.8mm	
Voltage	DC12V / DC24V	
Wattage	60W	
Detecting Range	5-8cm	
Protection Rating	IP20	



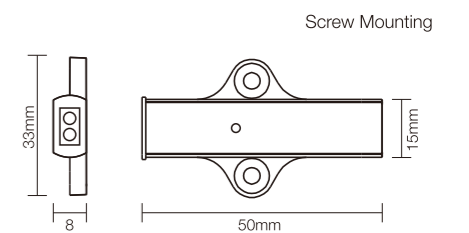
Recommended Groove Size: Φ8x20mm



- White
- Black



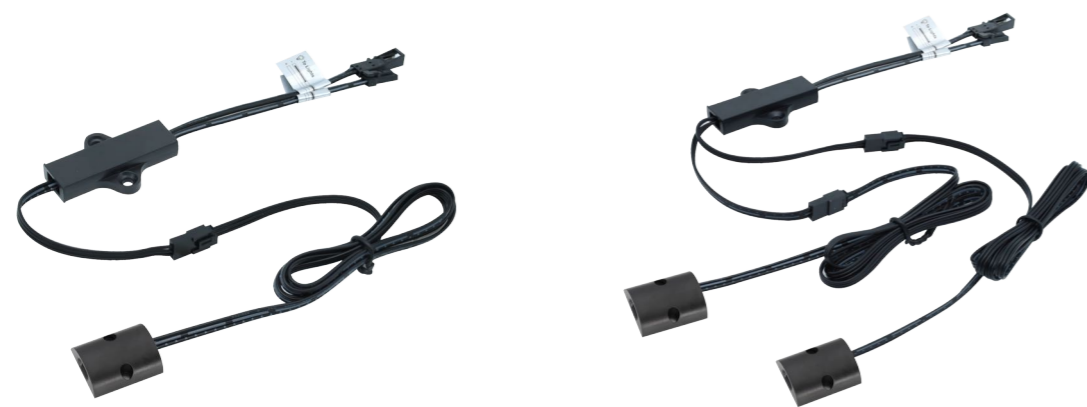
Model	MLX-SXA-A0P
Function	Dual Function IR Sensor
Size	50x33x8mm
Voltage	DC12V / DC24V
Wattage	60W
Detecting Range	5-8cm
Protection Rating	IP20





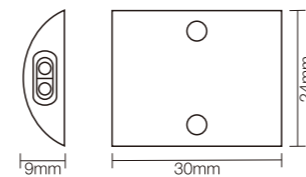
○ White

● Black



Model	MLX-S2A-A3	MLX-S3A-A3	MLX-S2A-2A3	MLX-S3A-2A3
Function	Single door trigger	Single hand shaking	Double door trigger	Double hand shaking
Size	30x24x9mm			
Voltage	DC12V / DC24V			
Wattage	60W			
Detecting Range	2-4cm(Door Trigger), 5-8cm (Hand Shaking)			
Protection Rating	IP20			

Screw Mounting

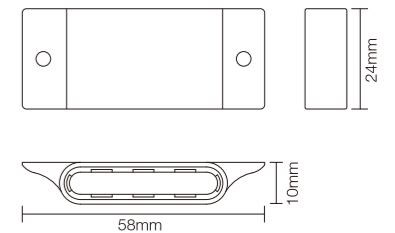


● Black



Model	MLX-SJ1-D2A
Function	Double door trigger sensor
Size	58x24x10mm
Voltage	DC12V / DC24V
Wattage	60W
Detecting Range	5-8cm
Protection Rating	IP20

Recommended Groove Size: 38x26x8mm



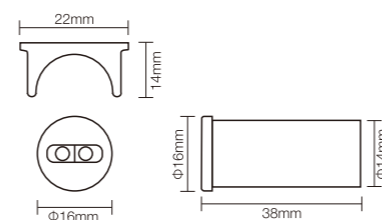
○ White

● Black



Model	MLX-S2A-A1	MLX-S3A-A1
Function	Door trigger	Hand shaking
Size	Φ16x38mm(Recessed), 40x22x14mm(Clips)	
Voltage	DC12V / DC24V	
Wattage	60W	
Detecting Range	5-8cm	
Protection Rating	IP20	

Recommended Groove Size: Φ14x40mm

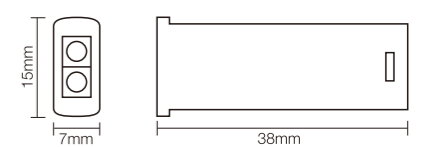


○ Silver



Model	NLX-S2A-A0
Function	Door trigger sensor
Size	38x15x7mm
Voltage	DC12V / DC24V
Wattage	60W
Detecting Range	5-8cm
Protection Rating	IP20

3M Sticker



02

TOUCH SENSOR SWITCH SERIES

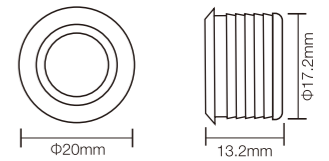


- Chrome
- Black



Model	MLX-S4B-A0P1	MLX-S4B-2A0P1
Function	ON/OFF/Dimmer (Single)	ON/OFF/Dimmer (Double)
Size	Φ20x13.2mm	
Voltage	DC12V / DC24V	
Wattage	60W	
Detecting Way	Touch type	
Protection Rating	IP20	

Recommended Groove Size: Φ17.2x15mm

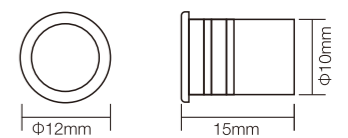


- Gray



Model	MLX-S4B-A2	MLX-S4B-2A2
Function	ON/OFF/Dimmer (Single)	ON/OFF/Dimmer (Double)
Size	Φ12x15mm	
Voltage	DC12V / DC24V	
Wattage	60W	
Detecting Way	Touch type	
Protection Rating	IP20	

Metal finish
Recommended Groove Size: Φ10x15mm



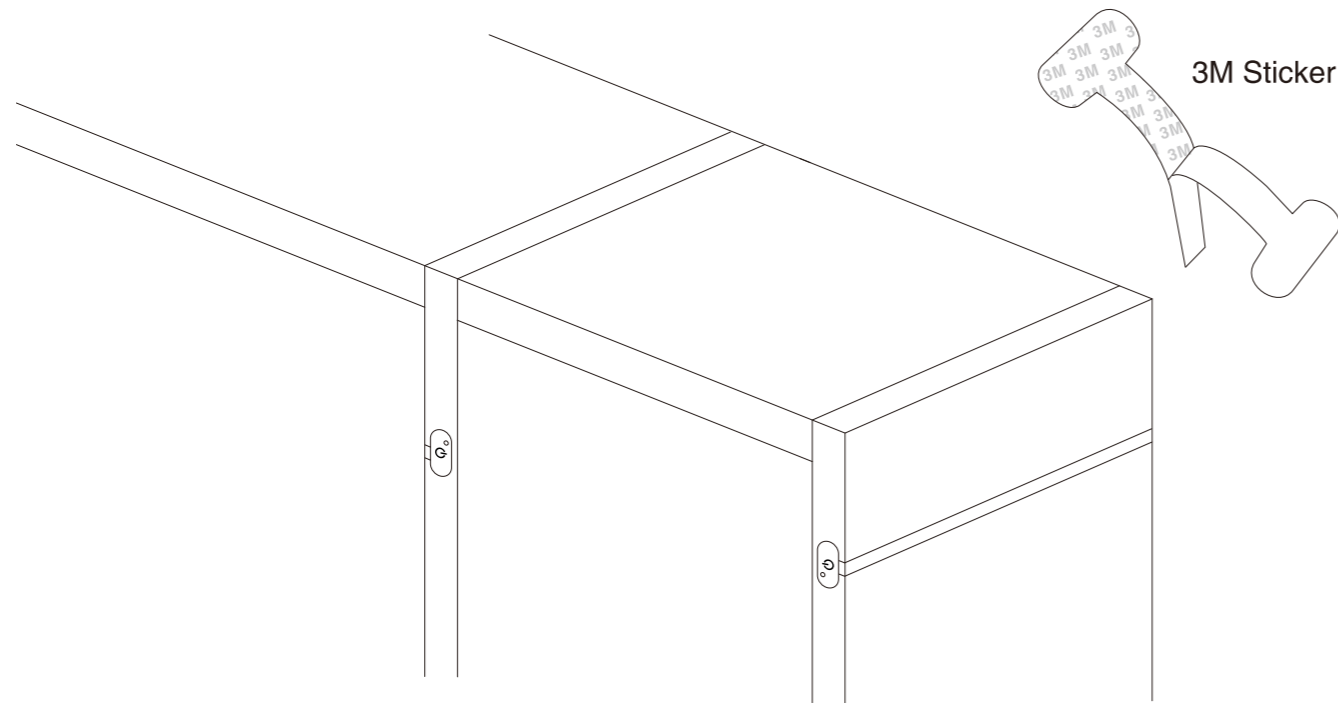
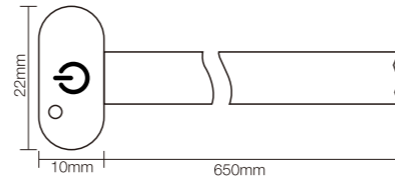


Golden



Model **MLX-S4B-A3**
 Function ON/OFF/Dimmer
 Size 22x10mm
 Voltage DC12V / DC24V
 Wattage 60W
 Detecting Way Press type
 Protection Rating IP20

3M Sticker



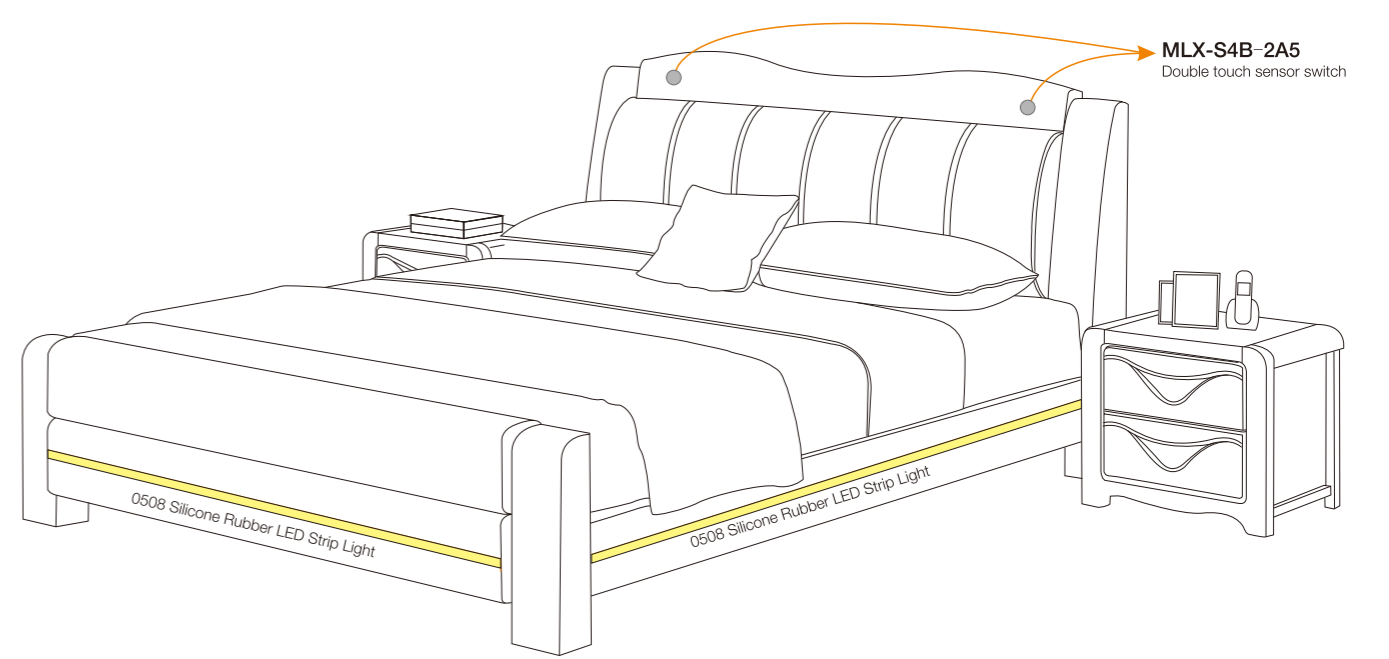
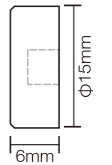
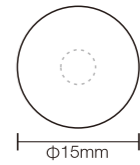
Aluminum



Model **MLX-S4B-A5**
 Function Dimmer with Three Level
 Size $\Phi 20 \times 13.2 \text{mm}$
 Voltage DC12V / DC24V
 Wattage 60W
 Detecting Way Touch type
 Protection Rating IP20

MLX-S4B-2A5

Screw Mounting



03

PIR SENSOR SWITCH SERIES

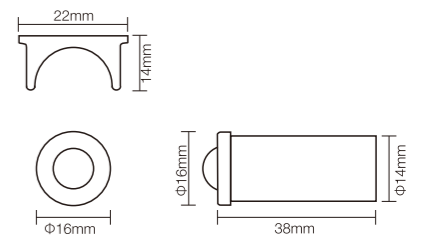


- White
- Black



Model	MLX-S6A-A0
Function	PIR Sensor
Size	Φ16x38mm(Recessed), 40x22x14mm(Clips)
Voltage	DC12V / DC24V
Max Wattage	60W
Detecting Range	1-3m
Protection Rating	IP20

Recommended Groove Size: Φ14x40mm

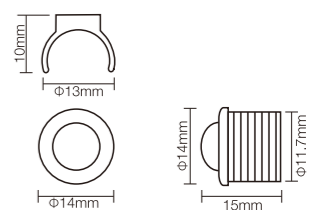


- White
- Black



Model	MLX-S6A-A1	MLX-S6A-2A1
Function	Single PIR Sensor	Double PIR Sensor
Size	Φ14x15mm(Recessed), 13x10x10mm(Clips)	
Voltage	DC12V / DC24V	
Wattage	60W	
Detecting Range	1-3m	
Protection Rating	IP20	

Recommended Groove Size: Φ12x15mm



04

MIRROR SWITCH SERIES

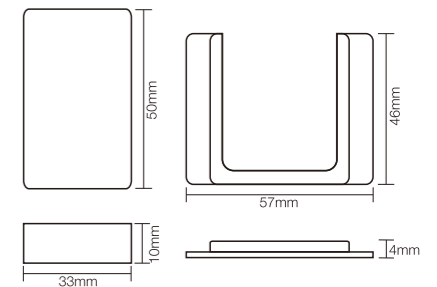


● Black

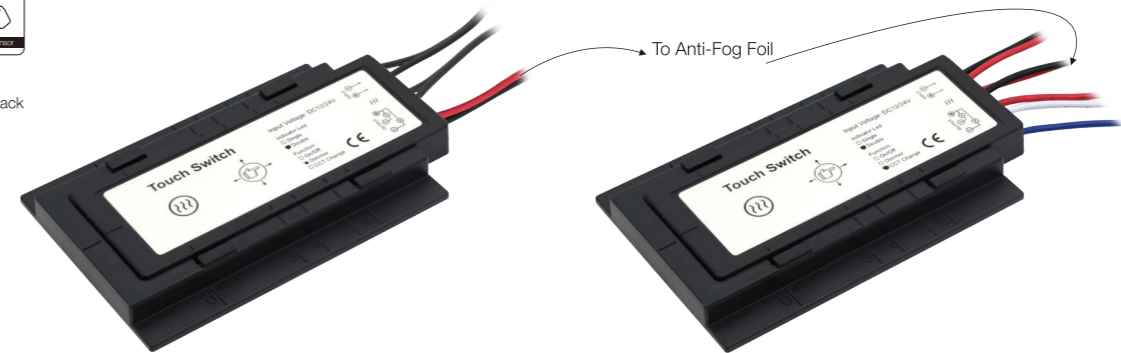


Model	MLX-S7B-A1	MLX-S7D-A1
Function	ON/OFF/Dimmer	ON/OFF/Dimmer/CCT Change
Size	50x33x10mm, 57x46x4mm(Clips)	
Voltage	DC12V / DC24V	
Max Wattage	60W	
Detecting Way	Touch type	
Protection Rating	IP20	

Indicator LED: ON-Blue, OFF-Red

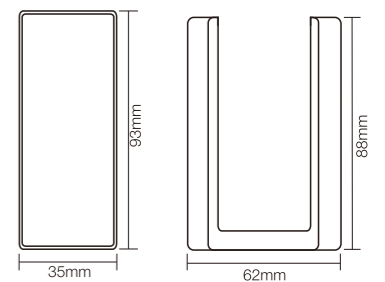


● Black



Model	MLX-S7B-A3	MLX-S7D-A3
Function	ON/OFF/Dimmer	ON/OFF/Dimmer/CCT Change
Size	93x35x10mm, 88x62x6mm(Clips)	
Voltage	DC12V / DC24V	
Max Wattage	60W	
Detecting Way	Touch type	
Protection Rating	IP20	

Indicator LED: ON-Blue, OFF-Red



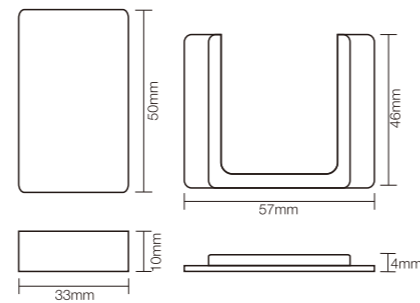


● Black

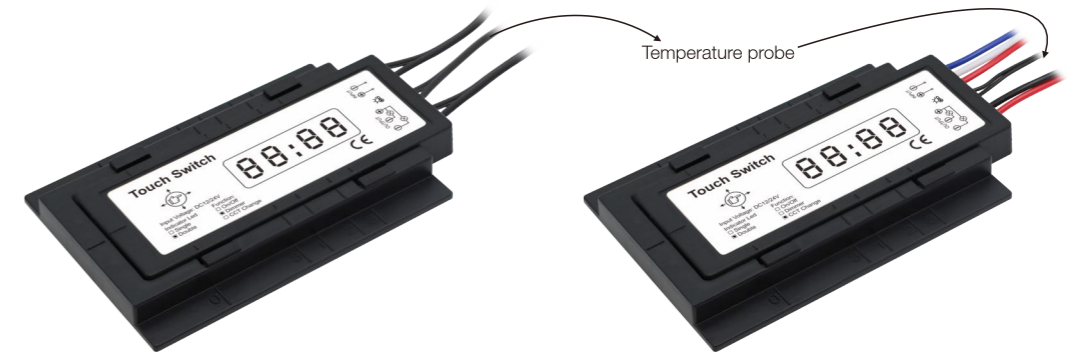


Model	MLX-S7B-A5P	MLX-S7D-A5P
Function	ON/OFF/Gesture Sensor	ON/OFF/Gesture Sensor /CCT Change
Size	50x33x10mm, 57x46x4mm(Clips)	
Voltage	DC12V / DC24V	
Max Wattage	60W	
Detecting Range	5-8cm	
Protection Rating	IP20	

Indicator LED: ON-Blue, OFF-White

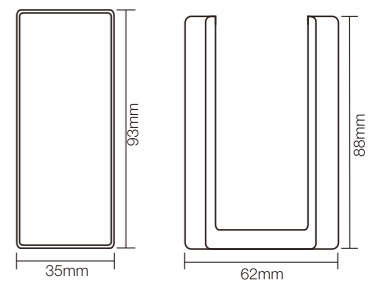


● Black



Model	MLX-S7B-A7	MLX-S7D-A7
Function	ON/OFF/Dimmer	ON/OFF/Dimmer/CCT Change
Size	93x35x10mm, 88x62x6mm(Clips)	
Voltage	DC12V / DC24V	
Max Wattage	60W	
Detecting Way	Touch type	
Protection Rating	IP20	

Indicator LED: ON-Blue, OFF-White

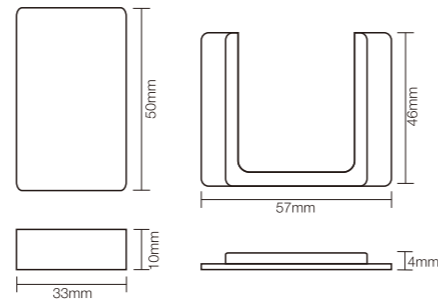


● Black



Model	MLX-S7A-A6P
Function	Rader Sensor
Size	50x33x10mm, 57x46x4mm(Clips)
Voltage	DC12V / DC24V
Max Wattage	60W
Detecting Range	1-3m
Protection Rating	IP20

Indicator LED: ON-Blue, OFF-White



05

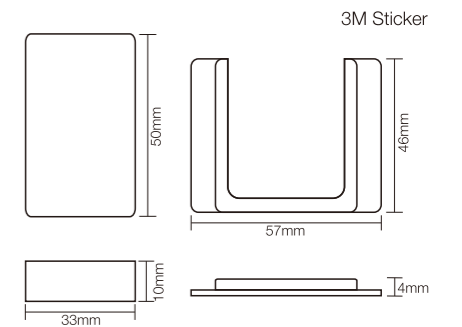
HIDDEN SENSOR SWITCH SERIES



● Black



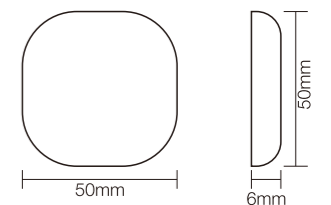
Model	MLX-S8B4-A0	MLX-S8D4-A0
Function	ON/OFF/Dimmer	ON/OFF/Dimmer/CCT Change
Size	50x33x10mm, 57x46x4mm(Clips)	
Voltage	DC12V / DC24V	
Max Wattage	60W	
Detecting Range	Wood panel thickness ≤ 20mm	
Protection Rating	IP20	



● Grey



Model	MLX-S8B4-A1 / MLX-S8B4-2A1	MLX-S8A3-A1 / MLX-S8A3-2A1
Function	Single / Double hidden touch dimmer sensor	Single / Double hidden hand shaking sensor
Size	50x50x6mm	
Voltage	DC12V / DC24V	
Wattage	60W	
Detecting Range	Wood Panel thickness ≤ 25mm	
Protection Rating	IP20	



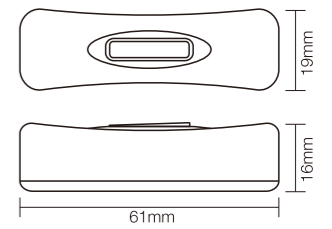
06

MECHANICAL SWITCH SERIES

- White
- Black



Model	MLX-S1A-A0
Switch Mode	Rocker Switch
Function	ON / OFF
Size	61x19x16mm
Voltage	DC12V / DC24V
Wattage	60W
Protection Rating	IP20

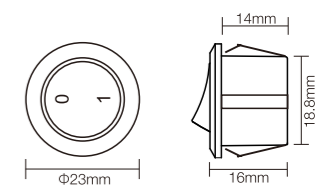


- White
- Black



Model	MLX-S1A-A1
Switch Mode	Round Mechanical Switch
Function	ON / OFF
Size	Φ23x16mm
Voltage	DC12V / DC24V
Wattage	60W
Protection Rating	IP20

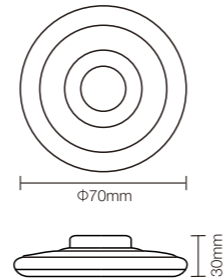
Recommended Groove Size: Φ20x16mm



- White
- Black



Model	MLX-S1A-A2
Switch Mode	Foot Switch
Function	ON / OFF
Size	Φ70x30mm
Voltage	DC12V / DC24V
Wattage	60W
Protection Rating	IP20

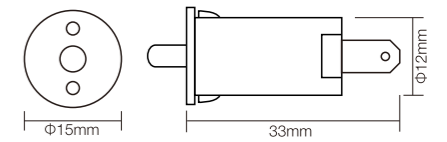


- White
- Black



Model	MLX-S1A-A4
Switch Mode	Mechanical Door Switch
Function	Door open / Closed
Size	Φ15x33mm
Voltage	DC12V / DC24V
Wattage	60W
Protection Rating	IP20

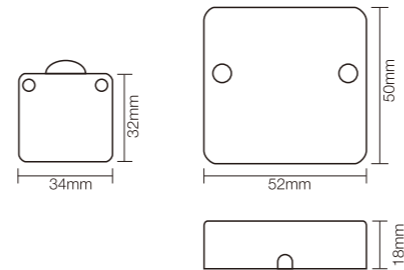
Recommended Groove Size: Φ12x35mm



- White
- Black



Model	MLX-S1A-A3
Switch Mode	Mechanical Door Switch
Function	Door open / Closed
Size	52x50x18mm
Voltage	DC12V / DC24V
Wattage	60W
Protection Rating	IP20

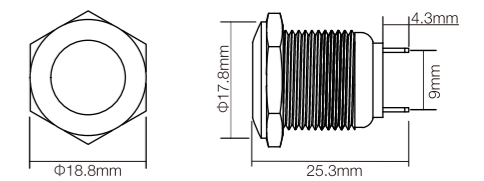


- Chrome



Model	MLX-S1A-A5
Switch Mode	Round Mechanical Switch
Function	ON / OFF
Size	Φ18.8x25.3mm
Voltage	DC12V / DC24V
Wattage	60W
Protection Rating	IP20

Recommended Groove Size: Φ16x25mm

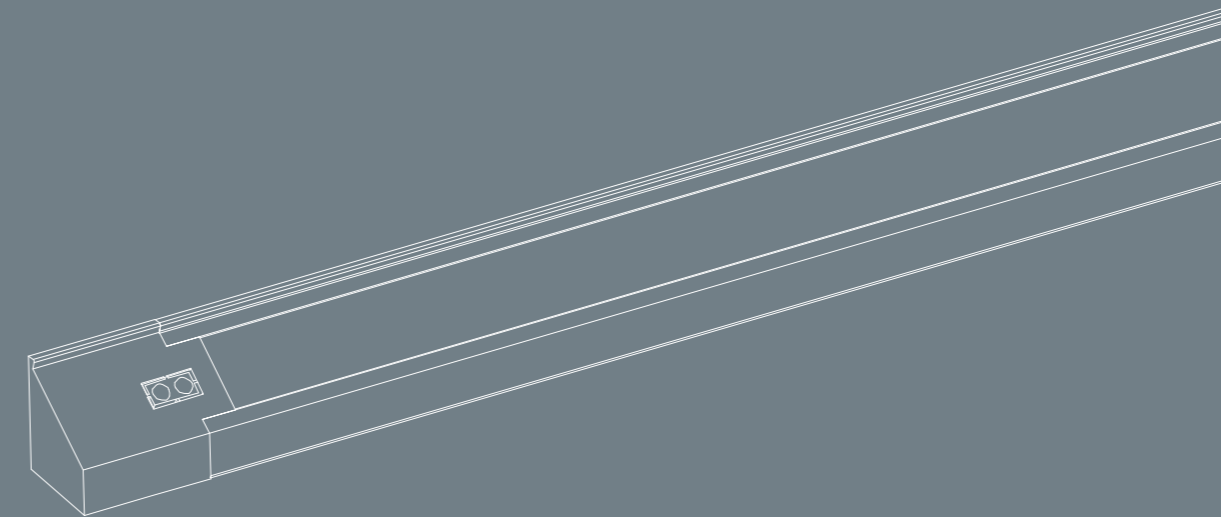


B

LED Light Series

- ★ LED Welding-Free Strip Lights
- ★ All Black Strip Lights

- 01 LED Under Cabinet Lights
- 02 LED Drawer Lights
- 03 LED Wardrobe Lights
- 04 LED Shelf Lights
- 05 Anti-Glare Strip Lights
- 06 Battery Cabinet Lights
- 07 LED Panel Lights
- 08 LED Puck Lights
- 09 Jewelry Lights



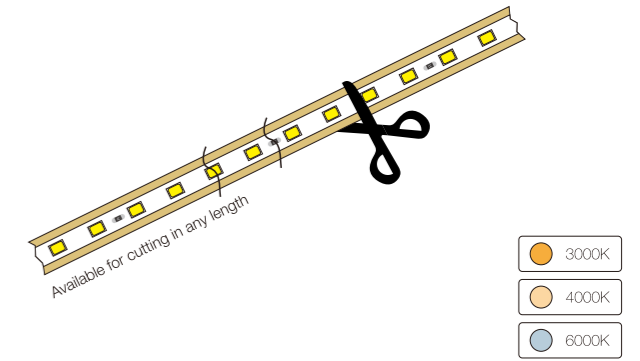




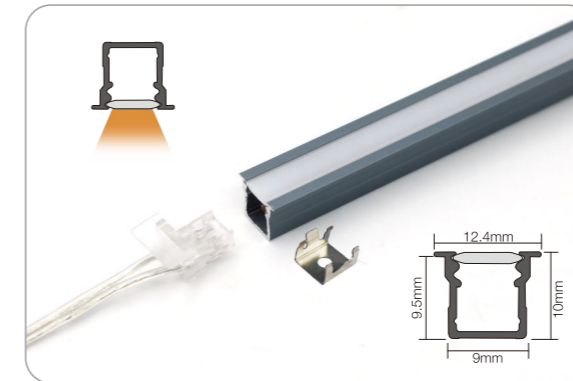
LED Welding-Free Strip Light (A series)

FEATURES

- Recessed mounting, suitable for all wood panels.
- Flat and tilt shining direction available. (left and right both)
- Separate cables from light body, easy after service.
- Available for cutting in any length. Reconnect without soldering.
- Soft and even lighting effect, good for eyes.

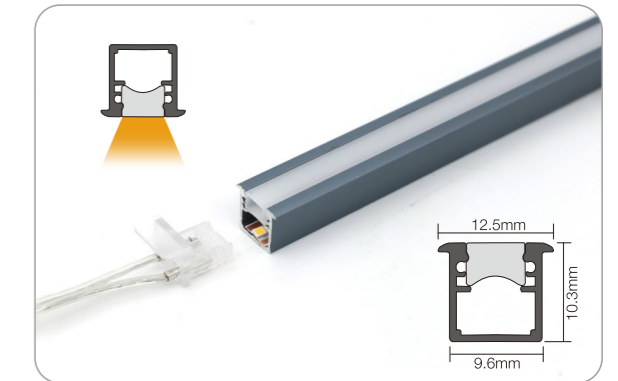


MLX-MH01A



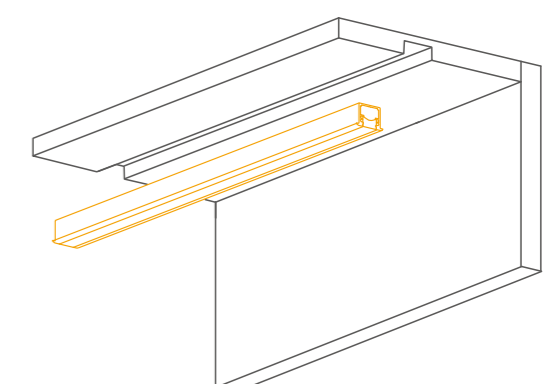
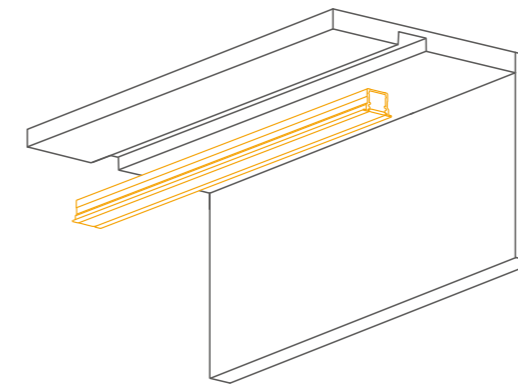
Recommended Groove Size:
Length(-8)*10mm(width)*10mm(depth)

MLX-MH08A



Recommended Groove Size:
Length(-8)*10mm(width)*10mm(depth)

INSTALLATION

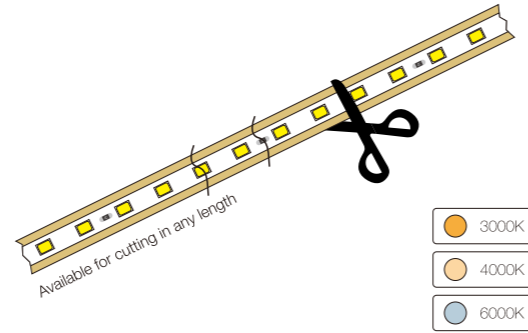


TECHNICAL DATA

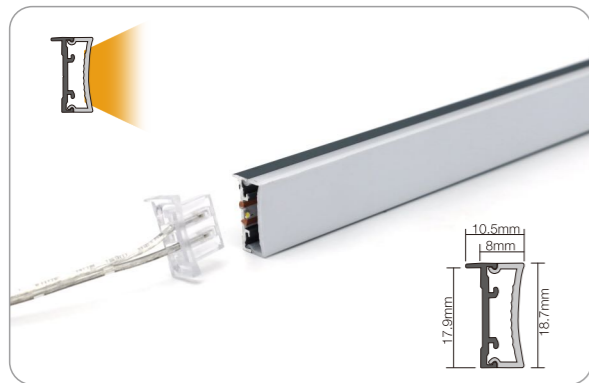
Model	Input Voltage	Wattage	LED Type	LED Quantity	CRI
MLX-MH01A	12VDC	10W/m	SMD2025	152pcs/m	>90
MLX-MH08A	12VDC	10W/m	SMD2025	152pcs/m	>90

FEATURES

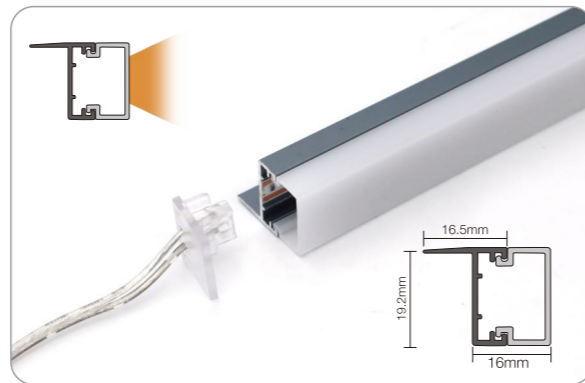
- Separate cables from light body, easy after service.
- Available for cutting in any length. Reconnect without soldering.
- Available for the wood panel thickness~16mm&18 mm.
- Suitable for the back side of wood panel.
- Up and down lighting direction makes your furniture elegant and fashionable.



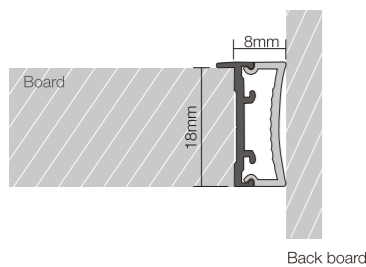
MLX-MH02A



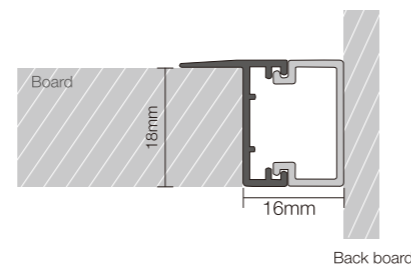
MLX-MH06A



INSTALLATION



Cut off 8mm width of the back board



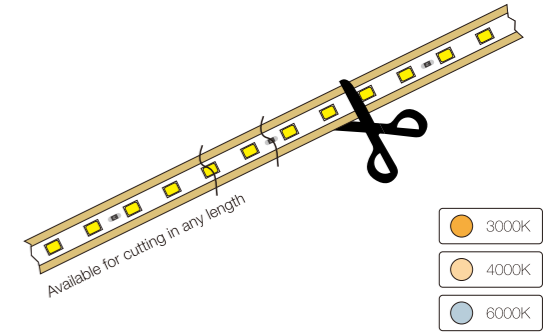
Cut off 16mm width of the back board

TECHNICAL DATA

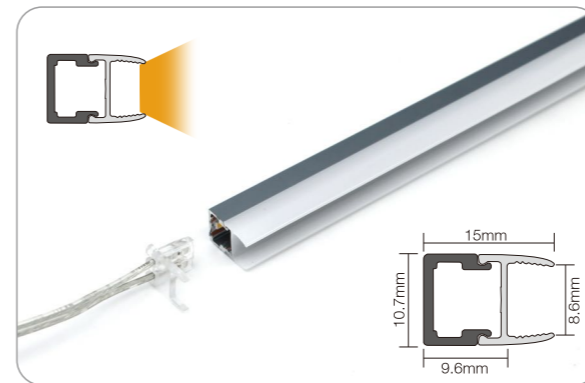
Model	Input Voltage	Wattage	LED Type	LED Quantity	CRI
MLX-MH02A	12VDC	10W/m	SMD2025	152pcs/m	>90
MLX-MH06A	12VDC	10W/m	SMD2025	152pcs/m	>90

FEATURES

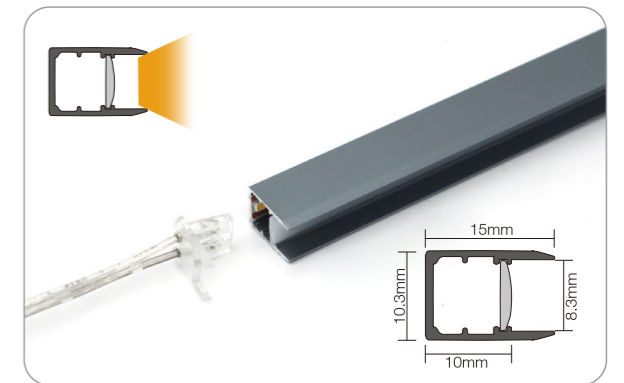
- Lighting in three different directions, suitable for 6-8mm thickness glass shelf.
- Separate cables from light body, easy after service.
- Available for cutting in any length. Reconnect without soldering.
- Lighting effect soft and even.



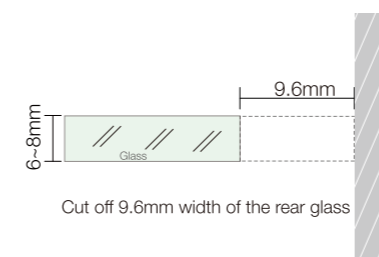
MLX-MH03A



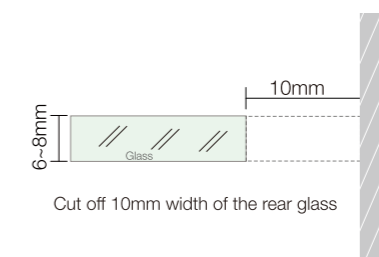
MLX-MH07A



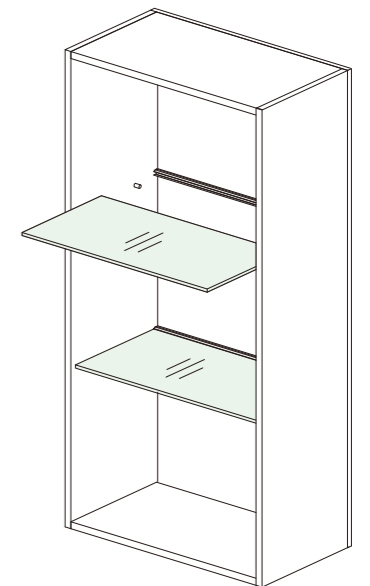
INSTALLATION



Cut off 9.6mm width of the rear glass



Cut off 10mm width of the rear glass

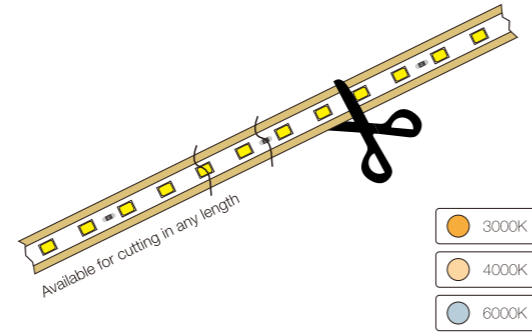


TECHNICAL DATA

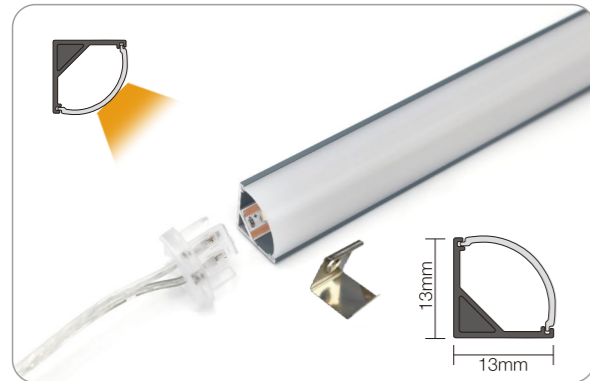
Model	Input Voltage	Wattage	LED Type	LED Quantity	CRI
MLX-MH03A	12VDC	10W/m	SMD2025	152pcs/m	>90
MLX-MH07A	12VDC	10W/m	SMD2025	152pcs/m	>90

FEATURES

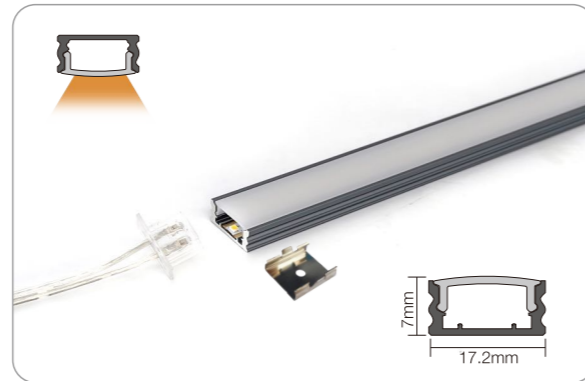
- Separate cables from light body, easy after service.
- Available for cutting in any length. Reconnect without soldering.
- Surfaced mounting, easy to install.
- Suitable for any furniture or cabinet surface, wide application.



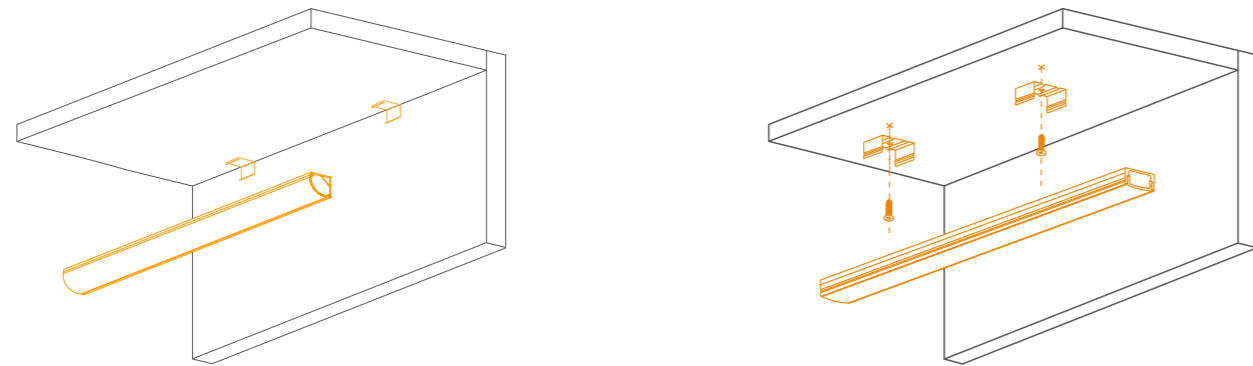
MLX-H04A



MLX-MH05A



INSTALLATION

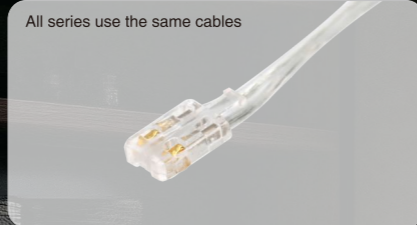
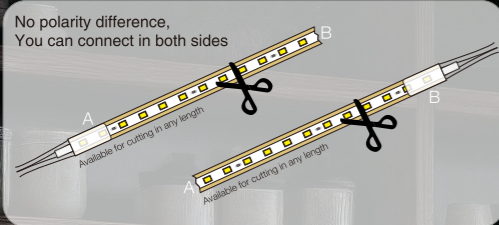


TECHNICAL DATA

Model	Input Voltage	Wattage	LED Type	LED Quantity	CRI
MLX-MH04A	12VDC	10W/m	SMD2025	152pcs/m	>90
MLX-MH05A	12VDC	10W/m	SMD2025	258pcs/m	>90

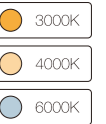


LED Welding-Free Strip Light (B series)



FEATURES

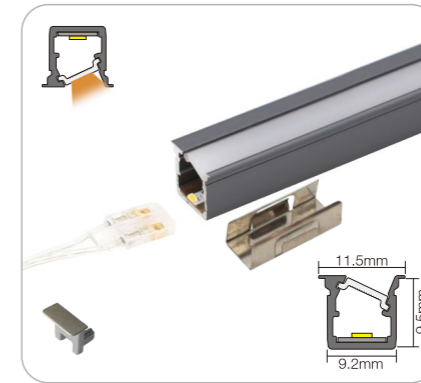
- Cutting Free everywhere
- Reconnect Whole series with only ONE type quick end caps
- Golden Strip light surface, More stable for stock and connection
- No Polarity difference, Connect two ends freely.
- 3000mm Length for delivery, Save cost and custom-made easily
- Recessed installation, With small size.



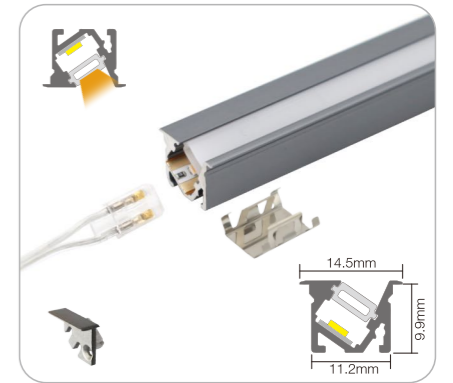
MLX-MH01B



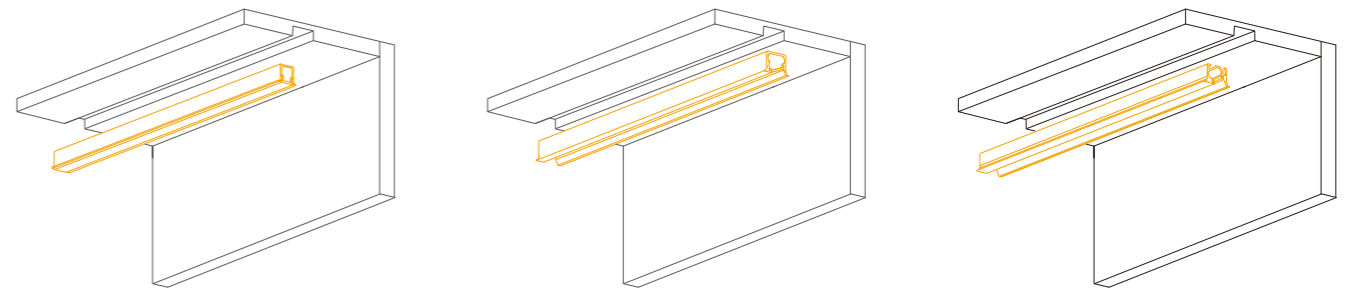
MLX-MH02B



MLX-MH03B



INSTALLATION



TECHNICAL DATA

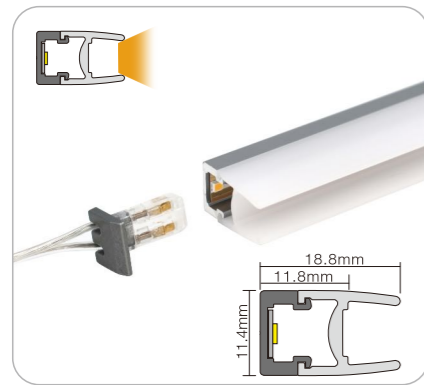
Model	Input Voltage	Wattage	LED Type	LED Quantity	CRI
MLX-MH01B	12VDC	10W/m	SMD2025	152pcs/m	>90
MLX-MH02B	12VDC	10W/m	SMD2025	152pcs/m	>90
MLX-MH03B	12VDC	10W/m	SMD2025	152pcs/m	>90

FEATURES

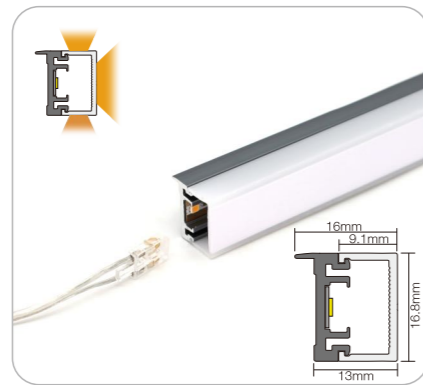
- Cutting Free everywhere
- Reconnect Whole series with ONLY ONE type quick end caps
- Golden Strip light surface, More stable for stock and connection
- No Polarity difference, Connect two ends freely.
- 3000mm Length for delivery, Save cost and custom-made easily
- Wooden shelf series, Many applications available

- 3000K
- 4000K
- 6000K

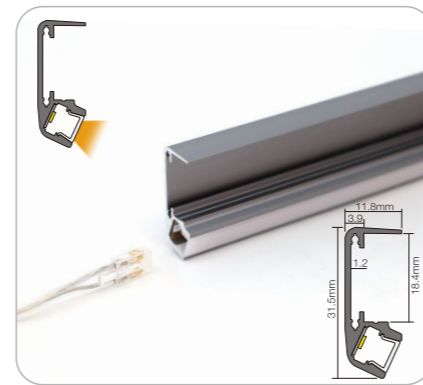
MLX-MH04B



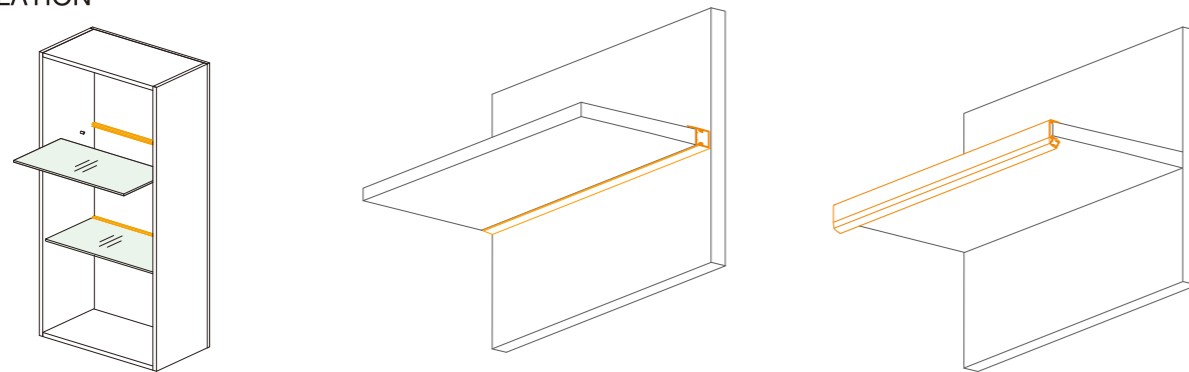
MLX-MH05B



MLX-MH06B

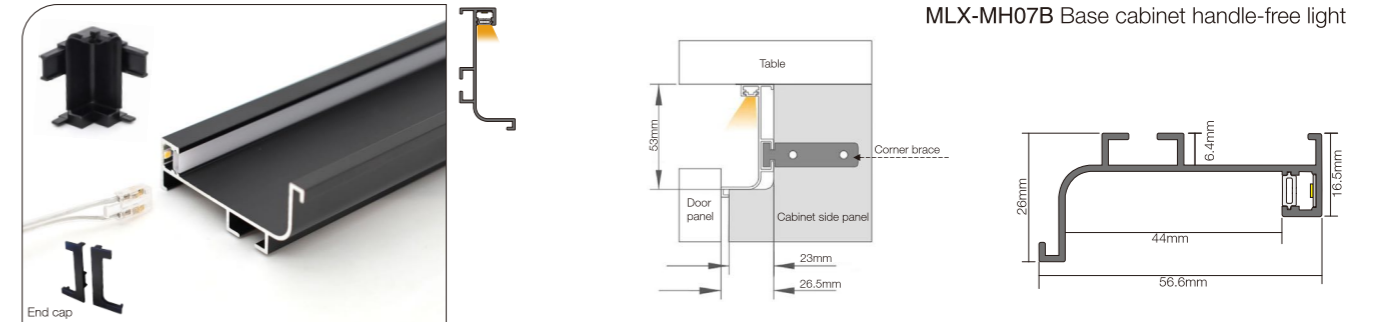


INSTALLATION

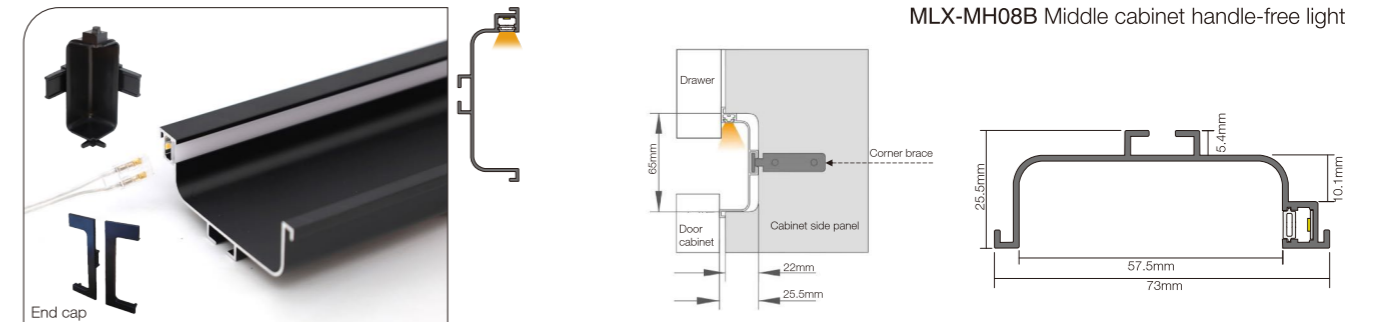


TECHNICAL DATA

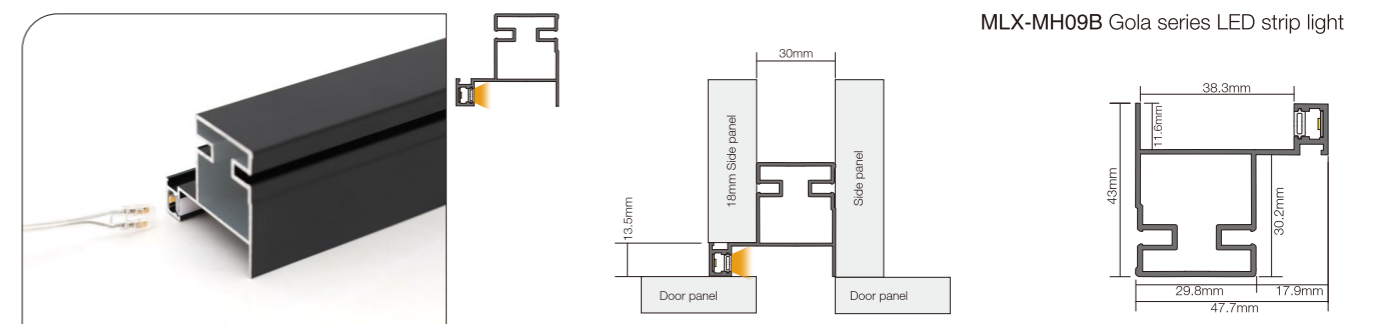
Model	Input Voltage	Wattage	LED Type	LED Quantity	CRI
MLX-MH04B	12VDC	10W/m	SMD2025	152pcs/m	>90
MLX-MH05B	12VDC	10W/m	SMD2025	152pcs/m	>90
MLX-MH06B	12VDC	10W/m	SMD2025	152pcs/m	>90



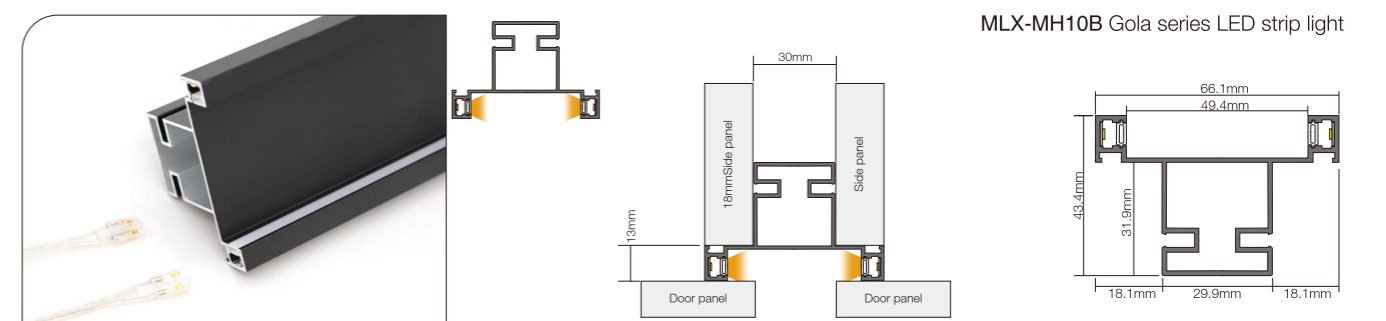
MLX-MH07B Base cabinet handle-free light



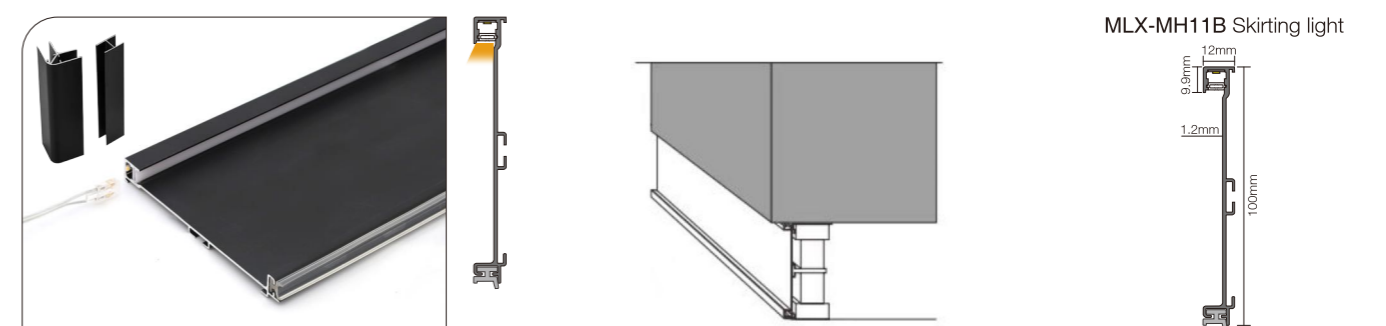
MLX-MH08B Middle cabinet handle-free light



MLX-MH09B Gola series LED strip light



MLX-MH10B Gola series LED strip light



MLX-MH11B Skirting light



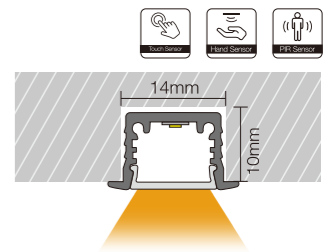
LED Welding-Free Strip Light (built in sensor)

FEATURES

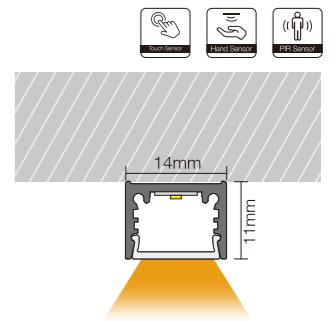
- Golden cover LED strip light, cutting free everywhere.
- No polarity difference, you can connect in both sides without soldering.
- Three meters length available, easy to customize in oversea Market.
- Three different types-Touch dimmer/ Hand shaking/ PIR sensors/ Door trigger, etc, cover most of applications.
- All types of lighting effect soft and even without dots.



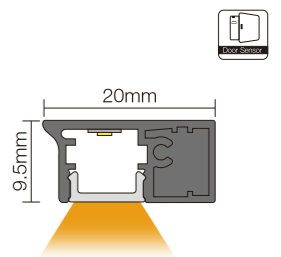
MLX-MH09A-L4B / MLX-MH09A-L3B / MLX-MH09A-L6A
12V(152D)&24V(200D)-10W-CRI>90



MLX-MH10A-L4B / MLX-MH10A-L3B / MLX-MH10A-L6A
12V(152D)&24V(200D)-10W-CRI>90



MLX-LD1-L2A LED Strip Light (Door trigger sensor)
12V(152D)&24V(200D)-10W-CRI>90



LED Welding-Free Strip Light-Neon Series



FEATURES

- Creative design, simple and fast installation, elegant lighting source.
- LED strip and silicone rubber extrusion together.
- 180 degree bent, able to variety of shapes.
- Extremely small size, 5mm width, 8mm depth only.
- Cutting Free in any place, quick connectors to reconnect without soldering.
- Surface clips for installation, Surface clips for end caps.

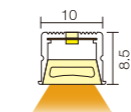


Available for cutting in any length

MLX-FG0508-1:
12V-2835-168LED-W5



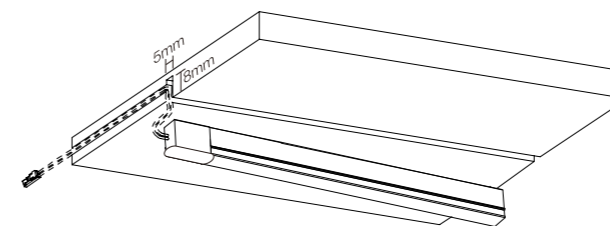
MLX-FG1008-2:
12V-2835-148LED-W8



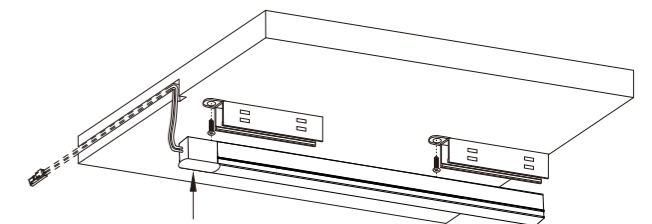
Reconnecting by end caps without Soldering
Pay attention to Polarity +/-

INSTALLATION

Recessed mounting



Surfaced mounting



TECHNICAL DATA

Model	Input Voltage	Wattage	LED Type	LED Quantity	CRI
MLX-FG0508-1	12VDC	9W/m	SMD2835	168pcs/m	>90
MLX-FG1008-2	12VDC	9W/m	SMD2835	148pcs/m	>90



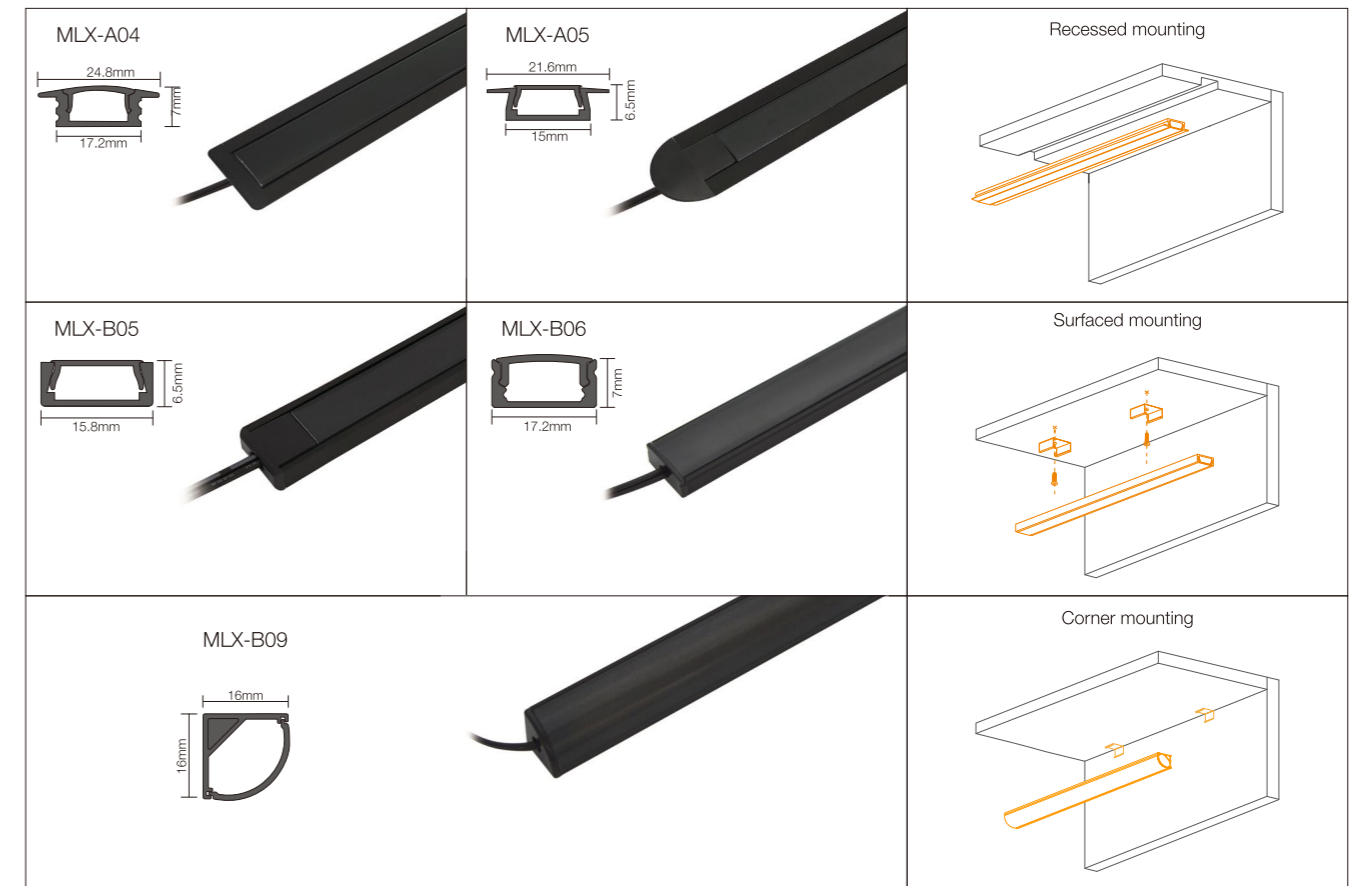
All Black Strip Light

FEATURES

- All black shape, elegant and luxury.
- COB LED strip light, without any dots in the surface.
- Ultra thin Recessed mounting / Surfaced mounting / Corner use.



INSTALLATION



TECHNICAL DATA

Model	Input Voltage	Wattage	LED Type	LED Quantity	CRI
MLX-A04 / MLX-A05	12VDC	10W/m	COB	320pcs/m	>90
MLX-B05 / MLX-B06					
MLX-B09					



01

LED UNDER CABINET LIGHT

FEATURES

- The surface light source design makes the light more comfortable and less dazzling.
- Hand shaking sensor switch avoid to touch the lamps frequently and keep it tidy.
- Separate cable from light body, very convenient for after-service.

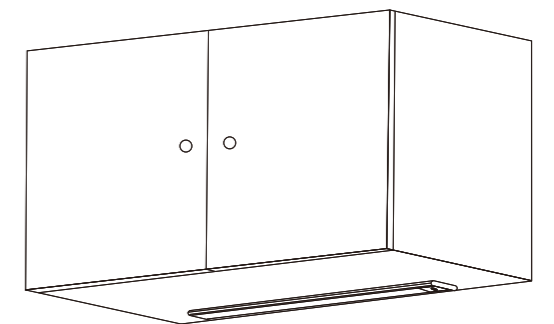
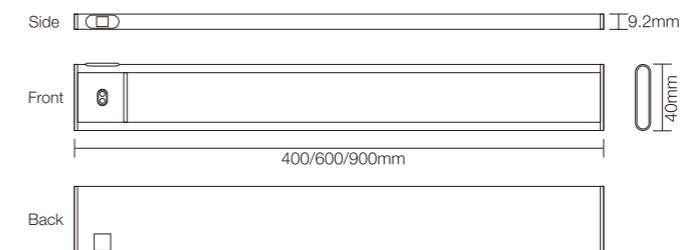


● Silver



- 3000K
- 4000K
- 6000K

INSTALLATION



TECHNICAL DATA

Model	Size	Input Voltage	Wattage	LED Type	CRI
GD01.400	400x40x9.2mm	12VDC	2.5W	SMD4014	>90
GD01.600	600x40x9.2mm		4W		
GD01.900	900x40x9.2mm		6W		



FEATURES

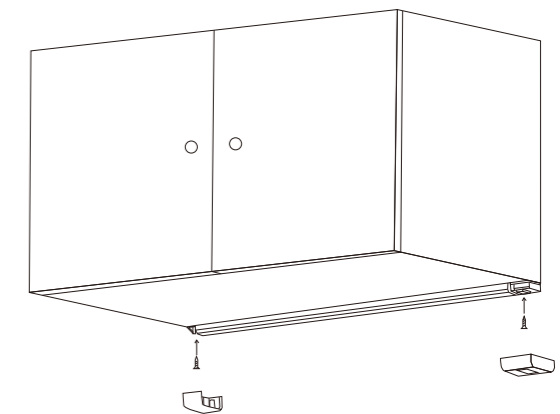
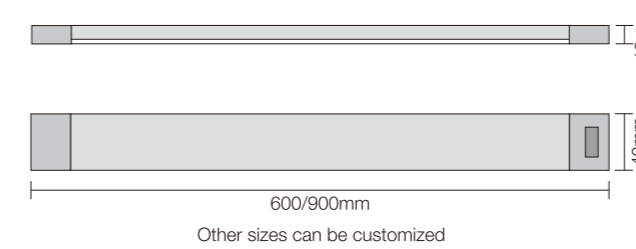
- Two rows led beams makes light bright.
- Hand shaking sensor switch avoid to touch the lamps frequently and keep it tidy.
- Built in blue indicator SMD, when the lamp off, the indicator on. You can find the light in the night easily.



● Silver



INSTALLATION



TECHNICAL DATA

Model	Input Voltage	Wattage	LED Type	LED Quantity	CRI
MLX-GD02	12VDC	3 X 5W/m	SMD2835	120pcs/m	>90

02

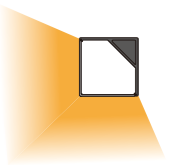
LED DRAWER LIGHTS

FEATURES

- Door trigger sensor switch, drawer or Inside cabinet application place.
- Single or double door sensor switches available both.
- Lighting direction to front and down side both.

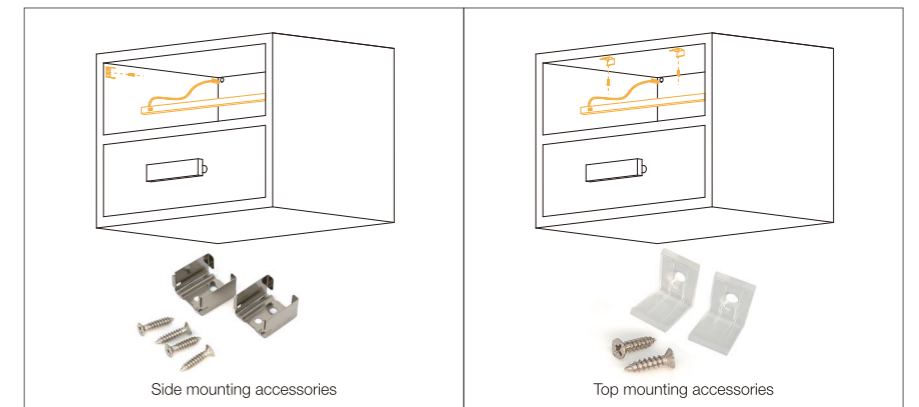
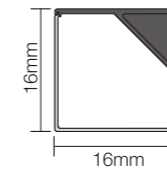


● Silver



- 3000K
- 4000K
- 6000K

INSTALLATION



TECHNICAL DATA

Model	Input Voltage	Wattage	LED Type	LED Quantity	CRI
MLX-D01	12VDC	10W/m	COB	320pcs/m	>90



FEATURES

- The surface light source design makes the light more comfortable and less dazzling.
- One / Two rows of led beams for choose.
- Door trigger sensor switch (Double door sensor switch available).

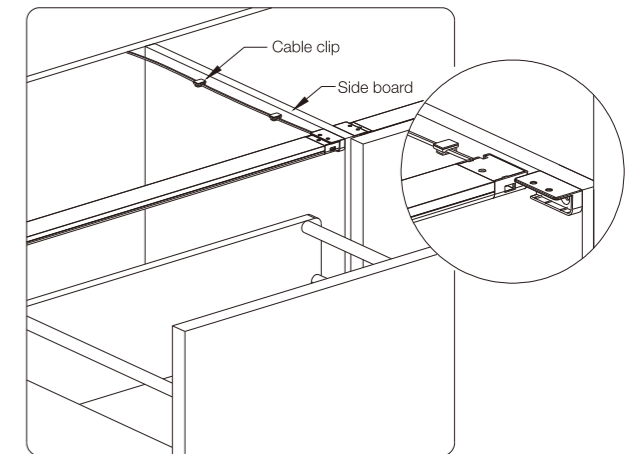
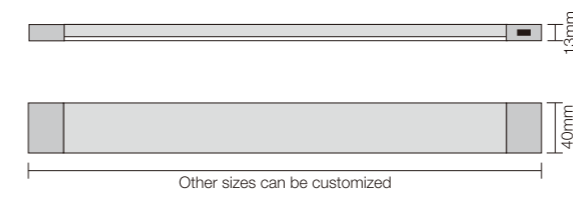


● Silver



- 3000K
- 4000K
- 6000K

INSTALLATION



TECHNICAL DATA

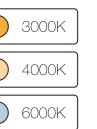
Model	Function	Voltage	Wattage	LED Type	LED Quantity	CRI
MLX-D02-D2A	Double door sensor	12VDC	5W	SMD2835	120pcs/m	>90
MLX-D02-L2A	Left door sensor					
MLX-D02-R2A	Right door sensor					



FEATURES

- Separate cable from light body, Very convenient for after-service.
- Multi sensor installation places choice, Many application available.
- Side and Top mounting both available, Easy to installation.

- Silver
- Black

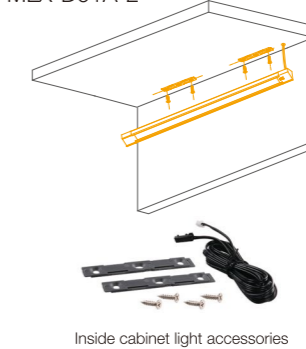


INSTALLATION

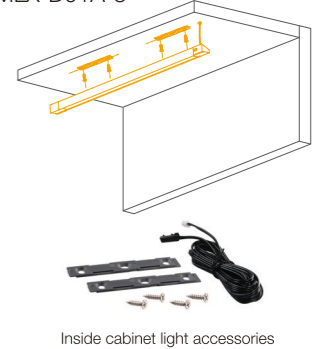
MLX-D01A-1



MLX-D01A-2



MLX-D01A-3



TECHNICAL DATA

Model	Function	Voltage	Wattage	LED Type	LED Quantity	CRI
MLX-D01A	No sensor	12VDC	10W/m	COB	320pcs/m	>90
MLX-D01A-1.R2A	Right door sensor					
MLX-D01A-2.R3A	Right hand sensor					
MLX-D01A-3.D2A	Double door sensor					
MLX-D01A-3.L2A	Left door sensor					
MLX-D01A-3.R2A	Right door sensor					

03

LED WARDROBE LIGHTS

FEATURES

- Side panel mounting, custom-made length.
- 12VDC & battery power supply both.
- PIR sensor switches.

- Champagne
- Black



MLX-E05

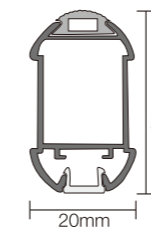


MLX-E05A

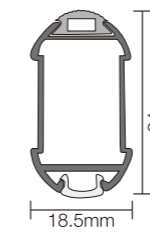


- 3000K
- 4000K
- 6000K

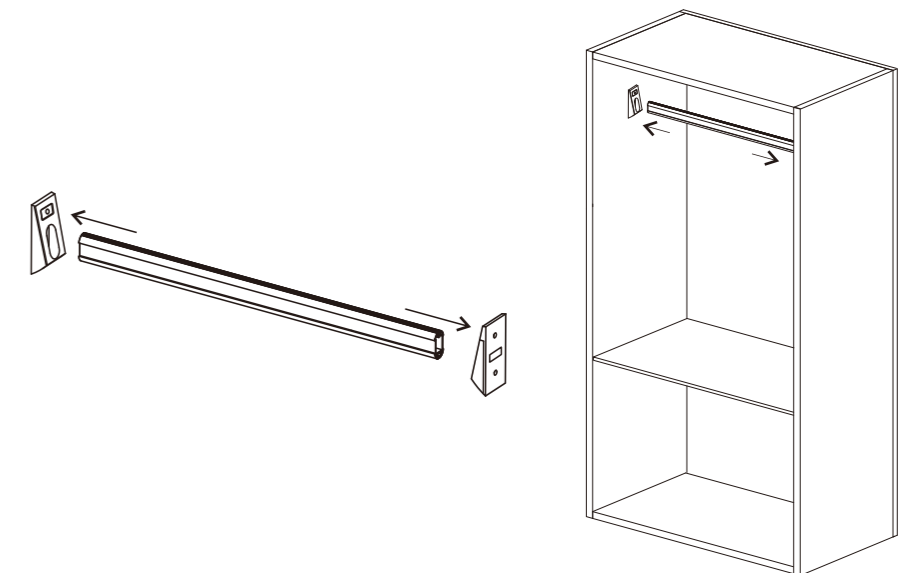
INSTALLATION



MLX-E05



MLX-E05A



TECHNICAL DATA

Model	Input Voltage	Wattage	LED Type	LED Quantity	CRI
MLX-E05	12VDC	10W/m	COB	120pcs/m	>90
MLX-E05A	12VDC	10W/m	COB	120pcs/m	>90



FEATURES

- Top and side mounting available, custom-made length
- 12V & Battery power supply both, rechargeable lithium battery runs long time
- PIR sensor switch

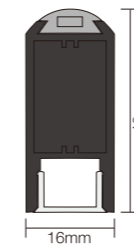
- Champagne
- Black



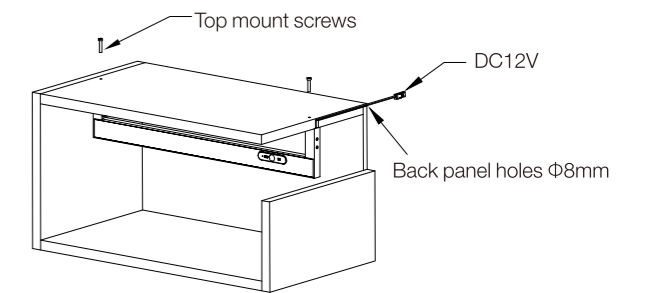
- 3000K
- 4000K
- 6000K



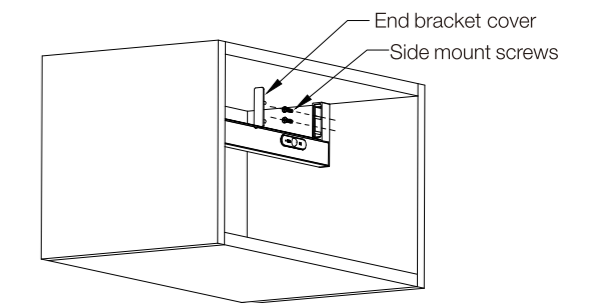
INSTALLATION



Top Installation



Side Installation



TECHNICAL DATA

Model	Input Voltage	Wattage	LED Type	LED Quantity	CRI
MLX-E06	12VDC	10W/m	COB	320pcs/m	>90
	5VDC	1.5W/m	SMD2835	120pcs/m	>90

04

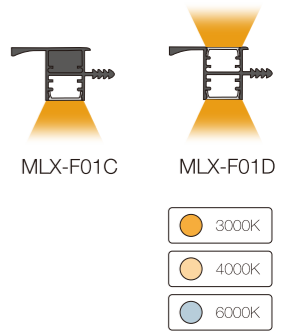
LED SHELF LIGHT

FEATURES

- MLX-F01C down direction shining, MLX-F01D up and down two direction shining.
- Hand shaking and touch switch for choice.
- Handle free design.
- Suitable 18mm thickness wood panel.

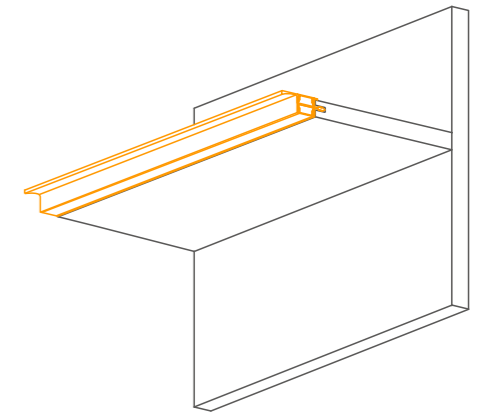
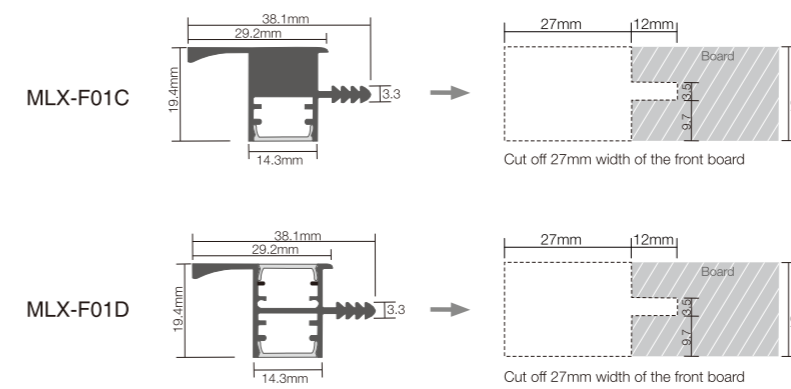


- Silver
- Black



- 3000K
- 4000K
- 6000K

INSTALLATION



TECHNICAL DATA

Model	Input Voltage	Wattage	LED Type	LED Quantity	CRI
MLX-F01C	12VDC	10W/m	COB	120pcs/m	>90
MLX-F01D	12VDC	2x10W/m	COB	320pcs/m	>90



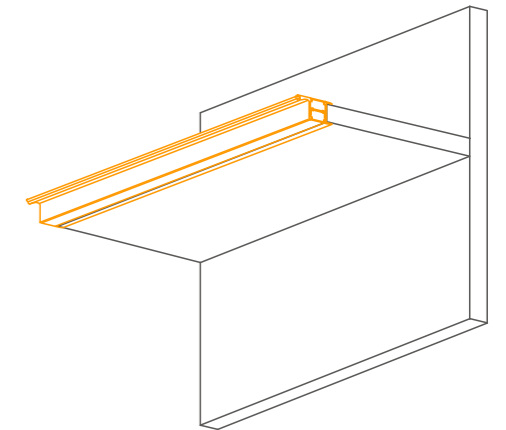
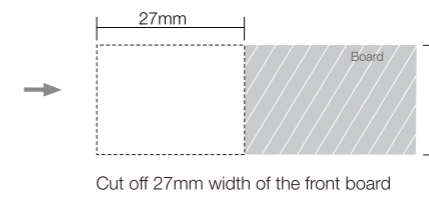
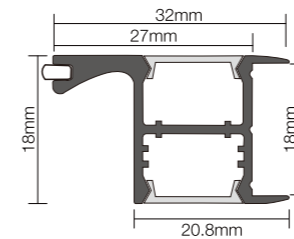
FEATURES

- Free handle design with curvy surface, comfortable using
- With anti-collision strips to avoid scratching the surface
- Suitable for 18mm thick board

- Silver
- Black



INSTALLATION



TECHNICAL DATA

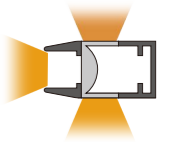
Model	Input Voltage	Wattage	LED Type	LED Quantity	CRI
MLX-F02	12VDC	2x10W/m	COB	320pcs/m	>90



FEATURES

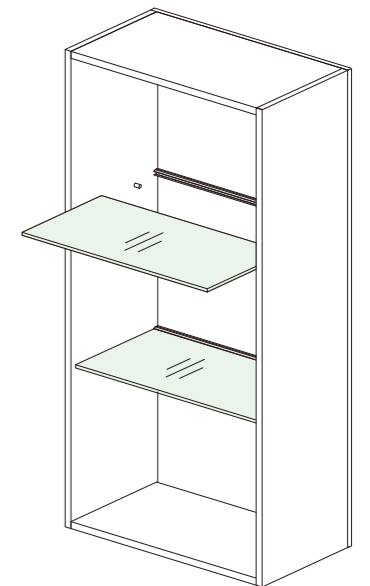
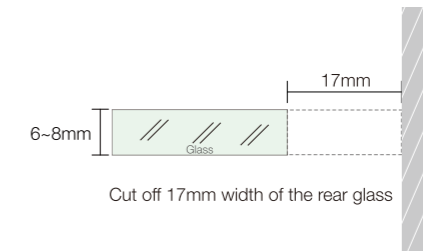
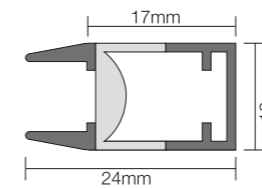
- Lighting in three different directions.
- Single or RGB Colors.
- Suitable for 6-8mm thickness glass shelf.
- Lighting effect soft and even.

● Silver



- 3000K
- 4000K
- 6000K

INSTALLATION



TECHNICAL DATA

Model	Input Voltage	Wattage	LED Type	LED Quantity	CRI
MLX-G02	12VDC	10W/m	COB	320pcs/m	>90



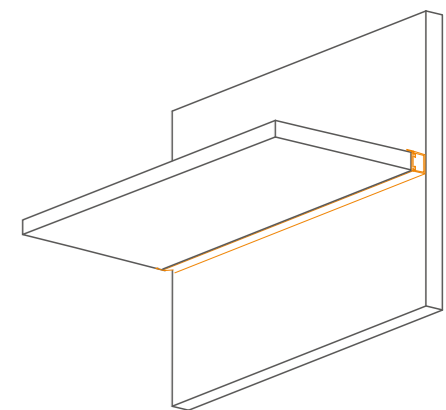
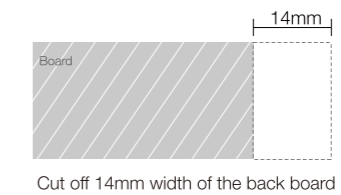
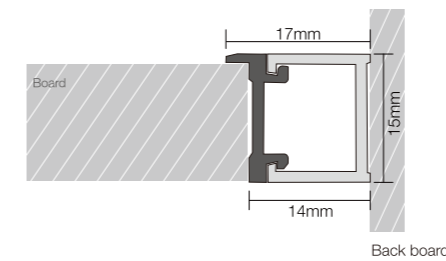
FEATURES

- Up and down two direction shinning.
- 3M tape mounting, easy installation.
- Suitable 16~25mm wood shelf thickness.
- Custom-made length.

● Silver



INSTALLATION



TECHNICAL DATA

Model	Input Voltage	Wattage	LED Type	LED Quantity	CRI
MLX-F04	12VDC	10W/m	COB	320pcs/m	>90

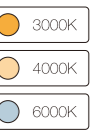
05

ANTI-GLARE STRIP LIGHTS

FEATURES

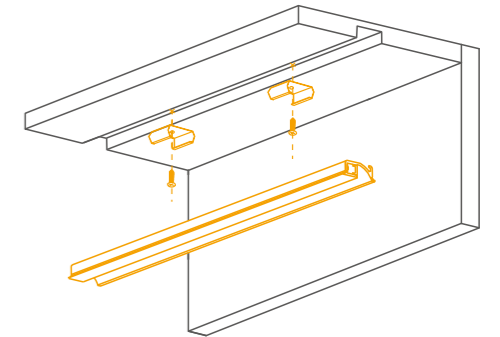
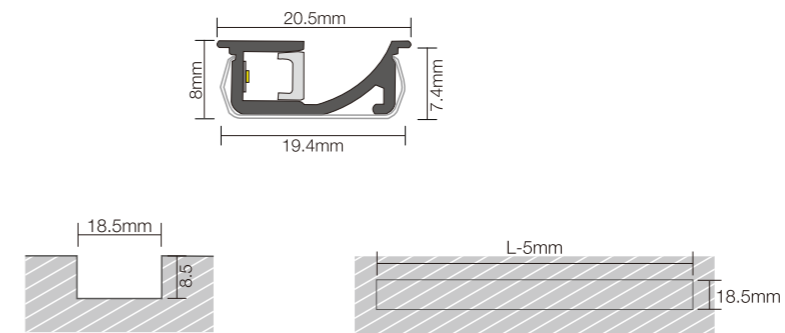
- Ultra thin recessed led strip light.
- Inside shining direction without seeing light body.
- COF strip light, perfect lighting effect.
- Different finish color for option.

● Gray



INSTALLATION

Recommended Groove Size: Length(-5)*18mm(width)*8.5mm(depth)



TECHNICAL DATA

Model	Input Voltage	Wattage	LED Type	LED Quantity	CRI
MLX-A01A	12VDC	6W/m	SMD2835	120pcs/m	>90



FEATURES

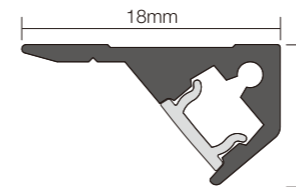
- 3M tape and screw mounting for option.
- Easy self-cut with two cables in the ends.
- Corner installation available, Inside shining direction, soft and even.

● Black

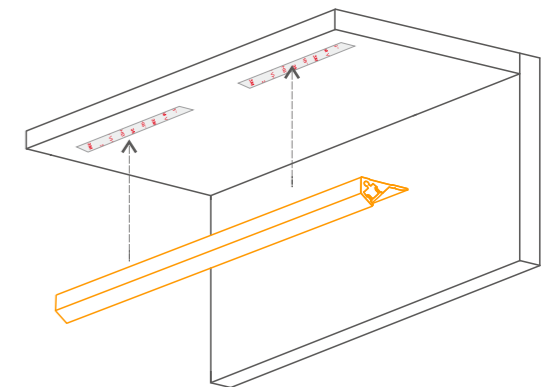
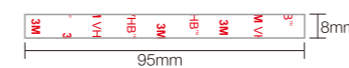


- 3000K
- 4000K
- 6000K

INSTALLATION



Installation: 3M tape



TECHNICAL DATA

Model	Input Voltage	Wattage	LED Type	LED Quantity	CRI
MLX--B01	12VDC	6W/m	SMD2835	120pcs/m	>90

06

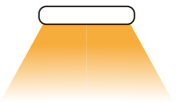
BATTERY CABINET LIGHTS

FEATURES

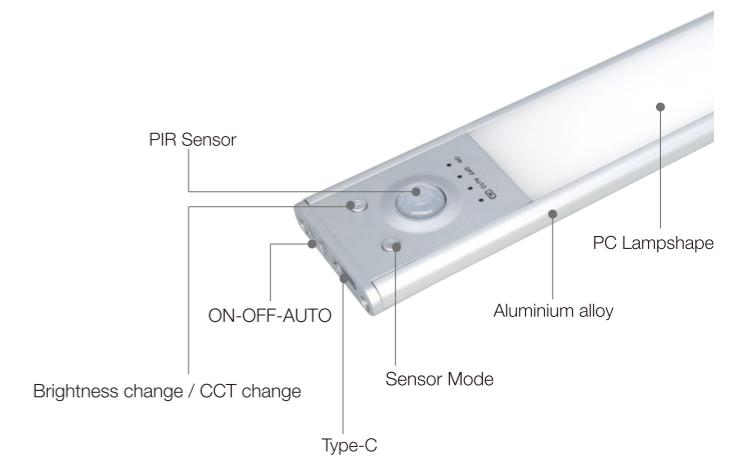
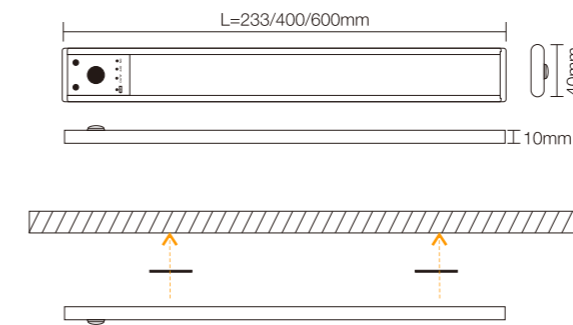
- Big battery capacity.
- Switch mode: PIR + Lux + Dimmer sensor.
- Color change and dimmer function both, end users can adjust.
- Magnetic installation, easy charging, Type-C.



● Silver



INSTALLATION



TECHNICAL DATA

Model	Size	Function	Voltage	Wattage	Battery Capacity	CRI
MLX-C01.220	233X40X10mm	PIR Sensor	5VDC	1.2W	600mAh	>90
MLX-C01.400	400X40X10mm			1.6W	1000mAh	
MLX-C01.600	600X40X10mm			2W	1500mAh	

07

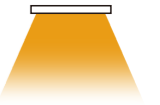
LED PANEL LIGHTS

FEATURES

- Ultra thin design, only about 5mm thickness.
- Equal lighting effect without any dark dots.
- 3M tape mounting, easy to install.
- Different size available, such as 100x100/200.etc.

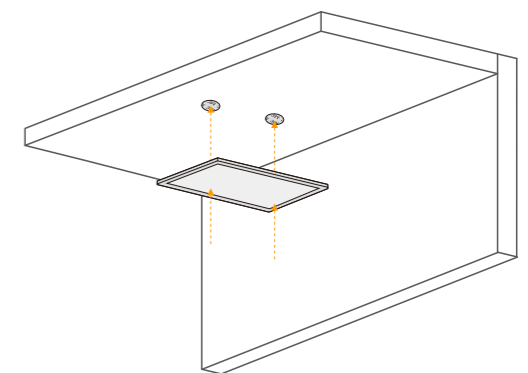
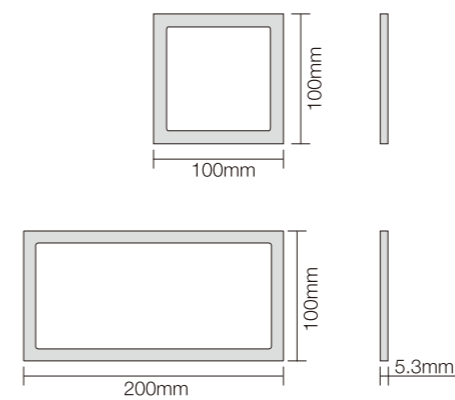
● Silver

● Black



- 3000K
- 4000K
- 6000K

INSTALLATION



Model	Input Voltage	Wattage	LED Type	LED Quantity	CRI
MLX-H03.100	12VDC	3.5W	SMD4014	15pcs	>90
MLX-H03.200	12VDC	7W	SMD4014	30pcs	>90

08

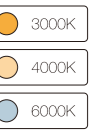
LED PUCK LIGHTS

FEATURES

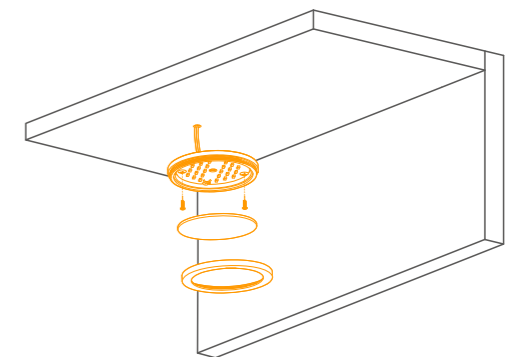
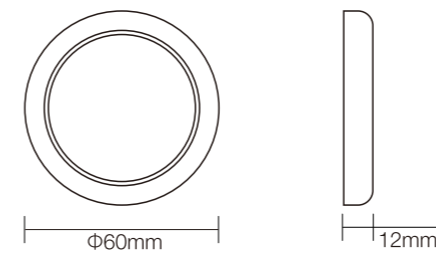
- Ultra thin-only 12mm thickness.
- Aluminum material-fast heat dissipation.
- Easy installation by screws.

● Silver

● Black



INSTALLATION



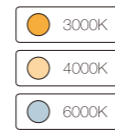
TECHNICAL DATA

Model	Input Voltage	Wattage	LED Type	LED Quantity	CRI
MLX-IM01	12VDC	2W	SMD2835	12pcs	>90

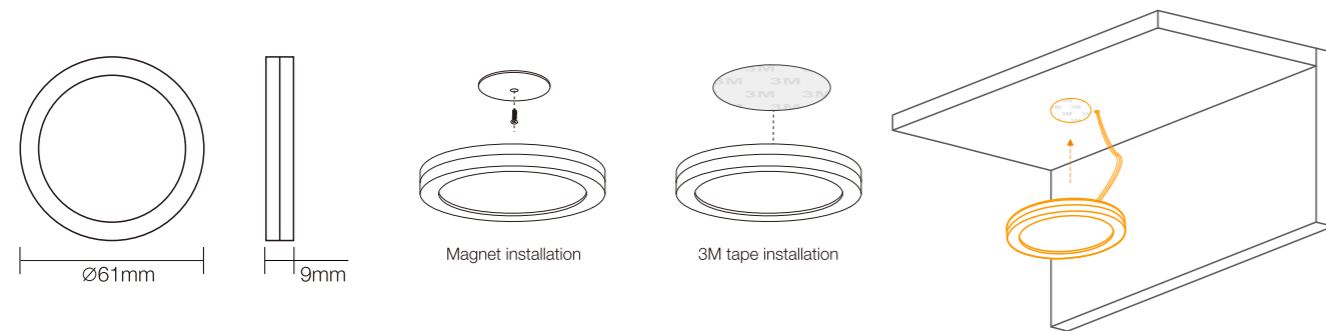
FEATURES

- Lightig source soft and even.
- Magnetic and 3M tape mounting, easy and tight.
- Competitive price with reliable quality.

● Silver



INSTALLATION



TECHNICAL DATA

Model	Input Voltage	Wattage	LED Type	LED Quantity	CRI
MLX-IM02	12VDC	2W	SMD2835	16pcs	>90

FEATURES

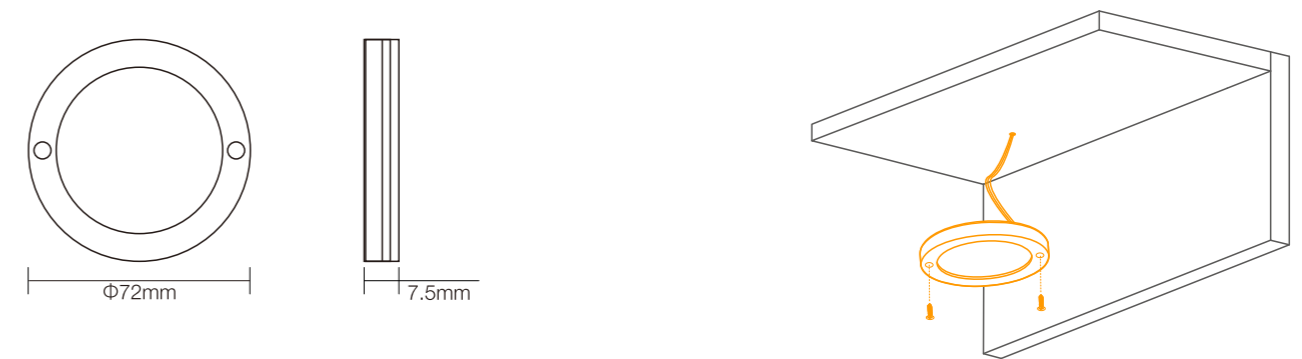
- Lighting soft and even without dots.
- Different finishes, Custom-made.
- Easy installation by screws.

● Gray

● Black



INSTALLATION



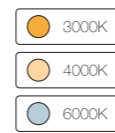
TECHNICAL DATA

Model	Input Voltage	Wattage	LED Type	LED Quantity	CRI
MLX-IM03	12VDC	3W	SMD2835	21pcs	>90

FEATURES

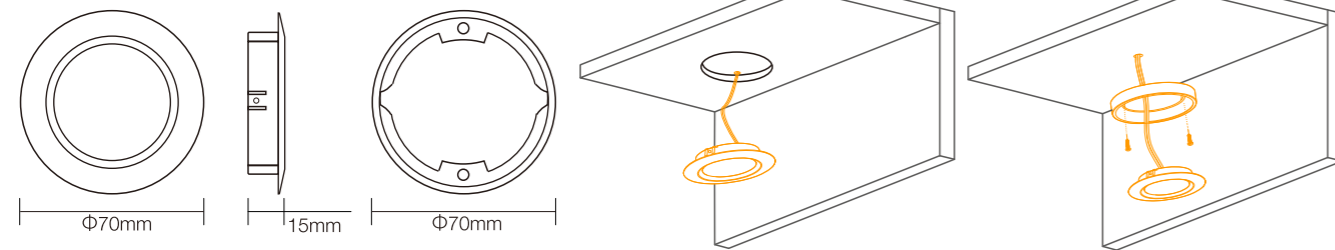
- Lightig source soft and even.
- Recessed mount or surfaced mount.
- Using high brightness LED, save electricity, long service life.

● Silver



INSTALLATION

Recommended Groove Size: $\Phi 65 \times 12 \text{mm}$



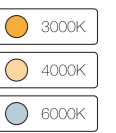
TECHNICAL DATA

Model	Input Voltage	Wattage	LED Type	LED Quantity	CRI
MLX-IMQ01	12VDC	2.5W	SMD2835	21pcs	>90

FEATURES

- Lightig source soft and even.
- Recessed mounting, 60mm standard size.
- Competitive price with reliable quality.

● Silver



INSTALLATION

Recommended Groove Size: $\Phi 60 \times 13 \text{mm}$



TECHNICAL DATA

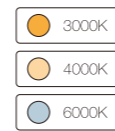
Model	Input Voltage	Wattage	LED Type	LED Quantity	CRI
MLX-IQ01	12VDC	1.5W	SMD2835	28pcs	>90



FEATURES

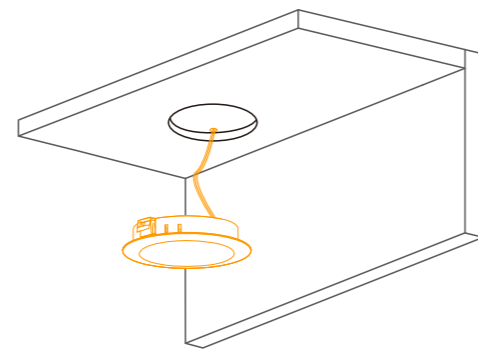
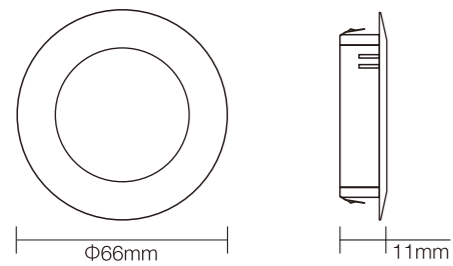
- Different finishes, Custom-made.
- Recessed mounting, 60mm standard size.
- Very cheap for big sales.

● Chrome



INSTALLATION

Recommended Groove Size: $\Phi 60 \times 12 \text{mm}$



TECHNICAL DATA

Model	Input Voltage	Wattage	LED Type	LED Quantity	CRI
MLX-IQ02	12VDC	1.5W	SMD2835	24pcs	>90

FEATURES

- Lightig source soft and even.
- Recessed mounting.
- Competitive price with reliable quality.

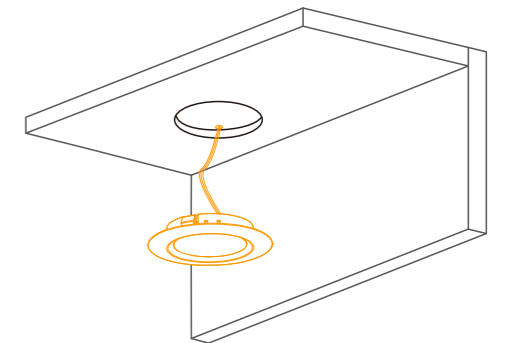
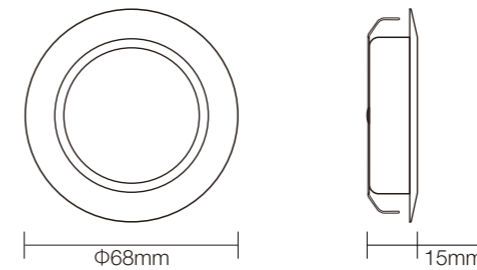
● Silver

● Black



INSTALLATION

Recommended Groove Size: $\Phi(56-58) \times 13 \text{mm}$



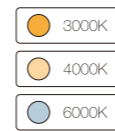
TECHNICAL DATA

Model	Input Voltage	Wattage	LED Type	LED Quantity	CRI
MLX-IQ03	12VDC	2.3W	SMD2835	15pcs	>90

FEATURES

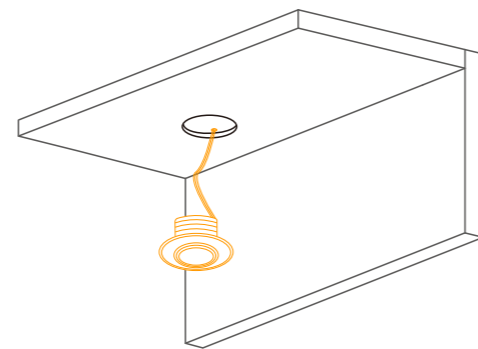
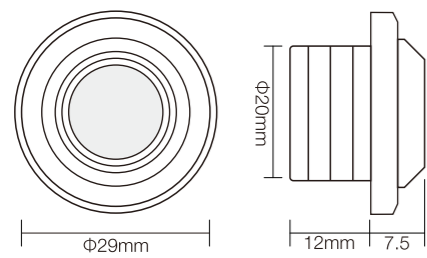
- Small size, Only 12mm Diameter
- Magnetic Installation, Easy to change LED Color
- Main application in Jewelry cabinets, wardrobe, etc

● Grey



INSTALLATION

Recommended Groove Size: $\Phi 20 \times 12 \text{mm}$



TECHNICAL DATA

Model	Input Voltage	Wattage	LED Type	LED Quantity	CRI
MLX-IQ08	12VDC	1W	SMD	1pc	>90

FEATURES

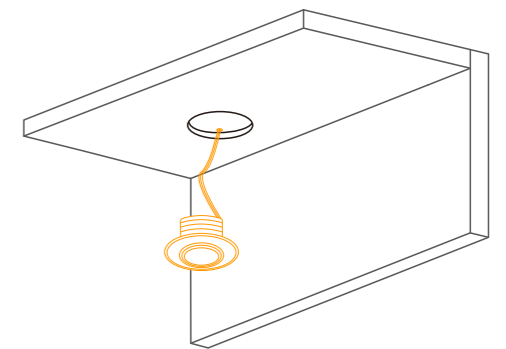
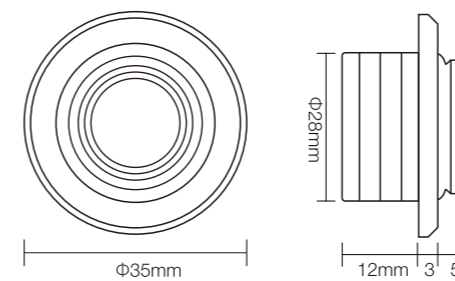
- Small size, Only 12mm Diameter
- Available for different angles to adjust
- Main application in Jewelry cabinets, wardrobe, etc

● Grey



INSTALLATION

Recommended Groove Size: $\Phi 28 \times 12 \text{mm}$



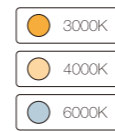
TECHNICAL DATA

Model	Input Voltage	Wattage	LED Type	LED Quantity	CRI
MLX-IQ09	12VDC	1W	SMD	1pc	>90

FEATURES

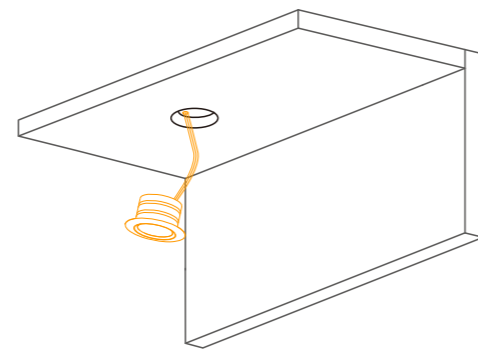
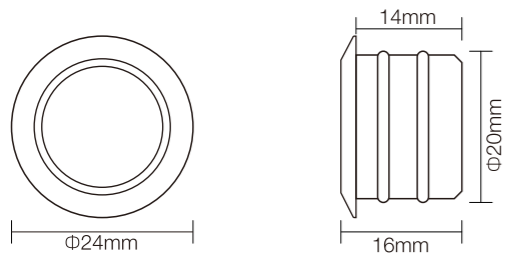
- Small size, Only 14mm Diameter
- Good quality with competitive price.
- Main application in Jewelry cabinets, wardrobe, etc

● Grey



INSTALLATION

Recommended Groove Size: $\Phi 20 \times 14 \text{mm}$



TECHNICAL DATA

Model	Input Voltage	Wattage	LED Type	LED Quantity	CRI
MLX-IQ10	12VDC	1W	SMD	1pc	>90

FEATURES

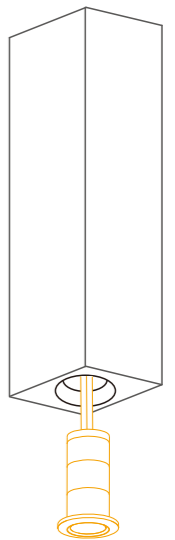
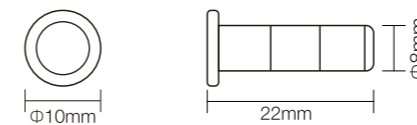
- Small size, Only 10mm Diameter
- Good quality with competitive price.
- Main application in Jewelry cabinets, wardrobe, etc

● Grey



INSTALLATION

Recommended Groove Size: MLX-IQ11: $\Phi 8 \times 22 \text{mm}$
MLX-IQ12: $\Phi 12 \times 34 \text{mm}$
MLX-IQ13: $\Phi 12 \times 34 \text{mm}$



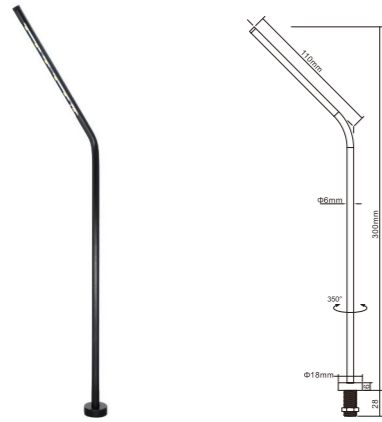
TECHNICAL DATA

Model	Size	Voltage	Wattage	LED Type	LED Quantity	CCT	CRI
MLX-IQ11	$\Phi 10 \times 22 \text{mm}$	12VDC	0.5	SMD	1PC	CW/NW/WW	>90
MLX-IQ12	$\Phi 14 \times 34 \text{mm}$	12VDC	0.5	SMD	1PC	CW/NW/WW	>90
MLX-IQ13	$\Phi 14 \times 34 \text{mm}$	12VDC	0.5	SMD	1PC	RGB	>90

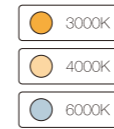
09

JWEWLRY LIGHTS / TRACK LIGHTS





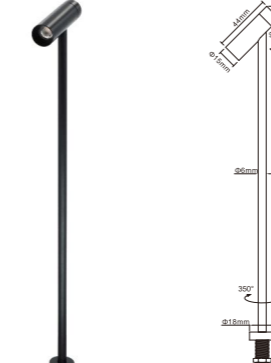
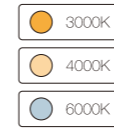
Model MLX-JL1
 Input Parameter 600mA/3V
 Power 2W
 Light Source SMD2835
 CRI >90
 Size $\Phi 6 \times 110 \text{mm}$
 Installation $\Phi 10 \times 28 \text{mm}$
 Surface Color Black



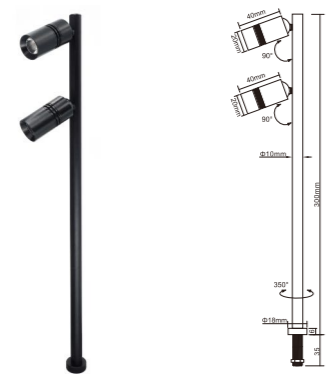
Model MLX-JL4
 Input Parameter 250mA/9V
 Power 3W
 Light Source 1304COB
 CRI >90
 Size $60 \times 18 \times 6.5 \text{mm}$
 Installation $\Phi 10 \times 35 \text{mm}$
 Surface Color Black



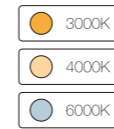
Model MLX-JL2-S
 Input Parameter 600mA/3V
 Power 2W
 Light Source SMD3535
 CRI >90
 Size $\Phi 20 \times 40 \text{mm}$
 Installation $\Phi 8 \times 25 \text{mm}$
 Surface Color Black



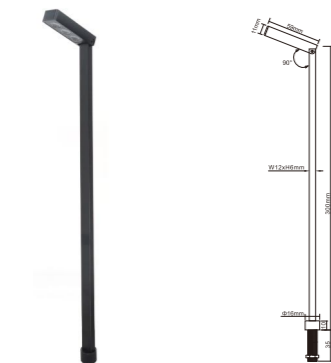
Model MLX-JL5
 Input Parameter 240mA/3V
 Power 1W
 Light Source SMD2525
 CRI >90
 Size $\Phi 15 \times 44 \text{mm}$
 Installation $\Phi 10 \times 28 \text{mm}$
 Surface Color Black



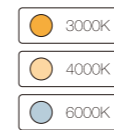
Model MLX-JL2-D
 Input Parameter 600mA/6V
 Power 4W
 Light Source SMD3535
 CRI >90
 Size $\Phi 20 \times 40 \text{mm}$
 Installation $\Phi 10 \times 35 \text{mm}$
 Surface Color Black



Model MLX-JL6
 Input Parameter 600mA/3V
 Power 2W
 Light Source SMD3535
 CRI >90
 Size $\Phi 18 \times 36 \text{mm}$
 Installation $\Phi 8 \times 35 \text{mm}$
 Surface Color Black



Model MLX-JL3
 Input Parameter 250mA/9V
 Power 3W
 Light Source SMD3535
 CRI >90
 Size $59 \times 17 \times 11 \text{mm}$
 Installation $\Phi 10 \times 35 \text{mm}$
 Surface Color Black



Model MLX-JL7
 Input Parameter 600mA/3V
 Power 3W
 Light Source SMD3535
 CRI >90
 Size $\Phi 16 \times 75 \text{mm}$
 Installation $\Phi 14 \times 15 \text{mm}$
 Surface Color Black

Jewelry Light Magnetic Track Series



Model MLX-JD1
 Input Parameter 12/24V
 Size LX15X7mm
 Installation 3M Sticker
 Surface Color Black



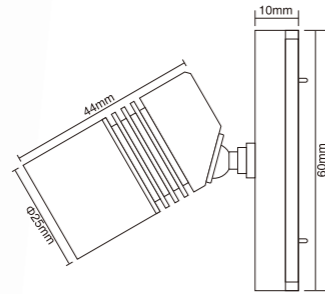
Model MLX-JD1-L1-S
 Input Parameter 12/24V
 Power 1W
 Angle 25°
 CRI >90
 Size Φ15X28mm
 Installation 60x10mm
 Surface Color Black



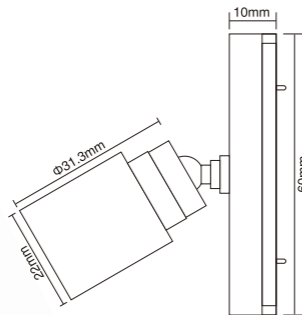
Model MLX-JD1-L1-D
 Input Parameter 12/24V
 Power 2W
 Angle 25°
 CRI >90
 Size Φ15x28mm
 Installation 60x10mm
 Surface Color Black



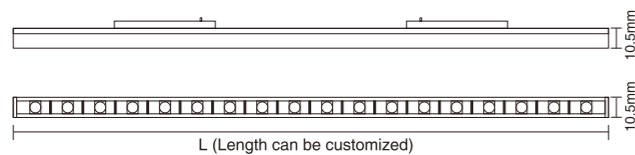
Model MLX-JD1-L2
 Input Parameter 12/24V
 Power 2W
 Angle 25°
 CRI >90
 Size Φ18x36mm
 Installation 60x10mm
 Surface Color Black



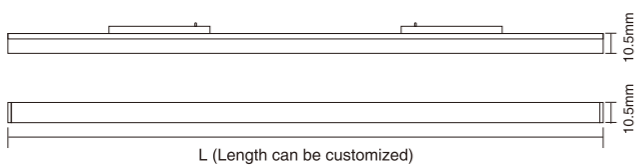
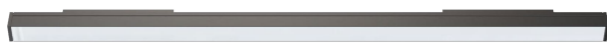
Model MLX-JD1-L3
 Input Parameter 12/24V
 Power 3W
 Angle 30°
 CRI >90
 Size $\Phi 25 \times 44 \text{mm}$
 Installation 60x10mm
 Surface Color Black



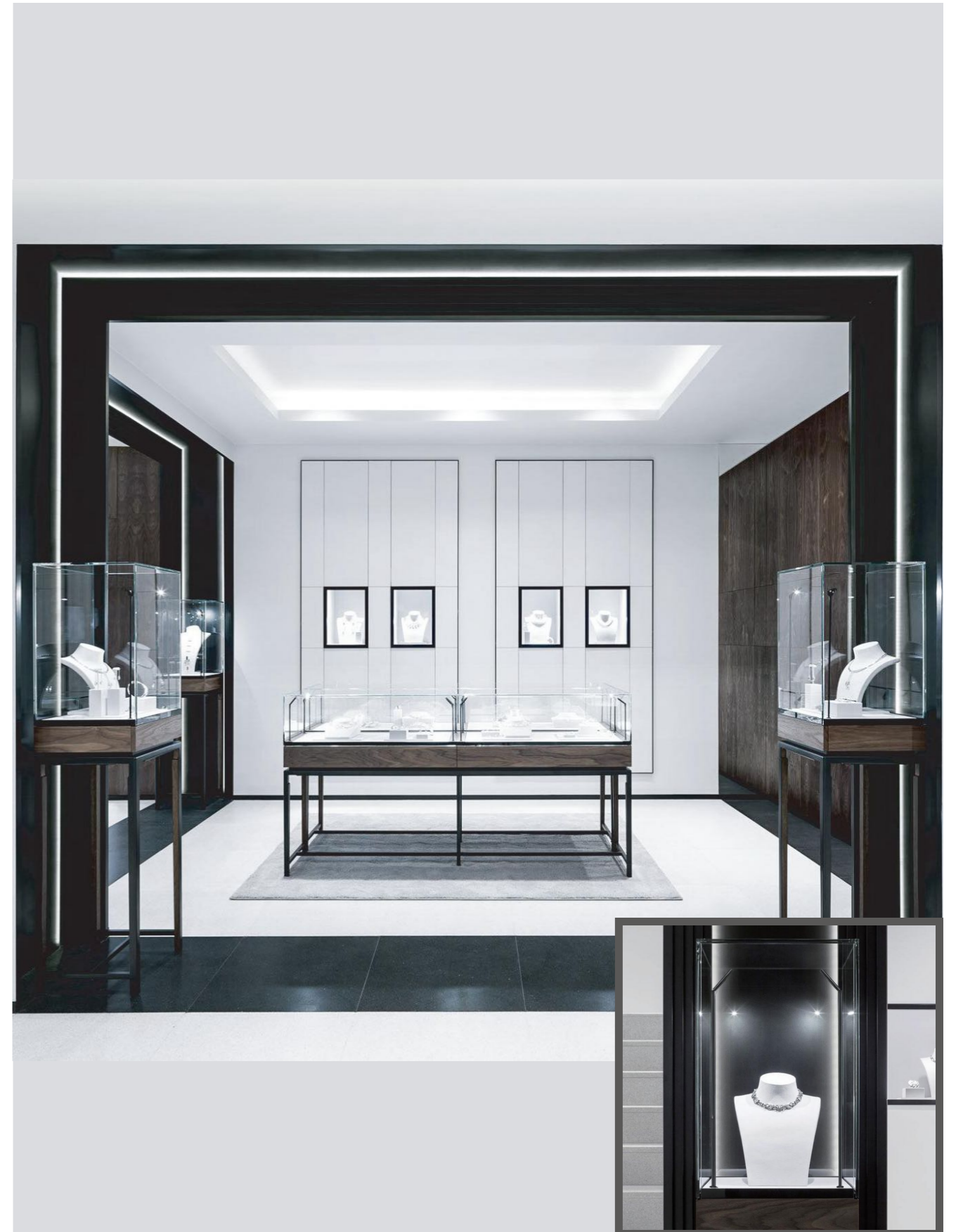
Model MLX-JD1-L4
 Input Parameter 12/24V
 Power 2W
 Angle 8-60°
 CRI >90
 Size $\Phi 22 \times 31.3 \text{mm}$
 Installation 60x10mm
 Surface Color Black



Model MLX-JD1-L5
 Input Parameter 12/24V
 Power 3W
 Angle 60°
 CRI >90
 Size 300x10.5x10.5mm
 Installation Magnet
 Surface Color Black



Model MLX-JD1-L6
 Input Parameter 12V
 Power 3W
 Angle 120°
 CRI >90
 Size 300x10.5x10.5mm
 Installation Magnet
 Surface Color Black



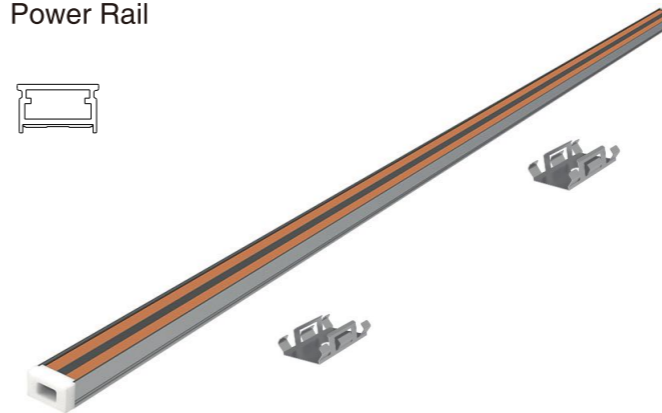


Power Rail System for Cabinet

FEATURES

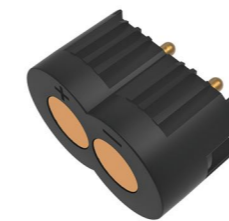
- Power Rail with multi-contact power tapping, eliminates messy on-site wiring.
- Pre-embedded led lamp, Require no on-site installation
- LED Lamp draw power directly, eliminating the need for grooving and additional wiring.
- The power Receiving Ends accommodates panels of various thicknesses and features industry-standard cutout dimensions.

Power Rail



Hole Size	12x8mm
Current	5A
Installation	Recessed

Power Sending Ends for Side Panel



Compatible with 25mm thick shelf
(with wire connection to LED Lamp)
Hole size: $\Phi 20\text{mm}$

Power Receiving Ends for Shelf



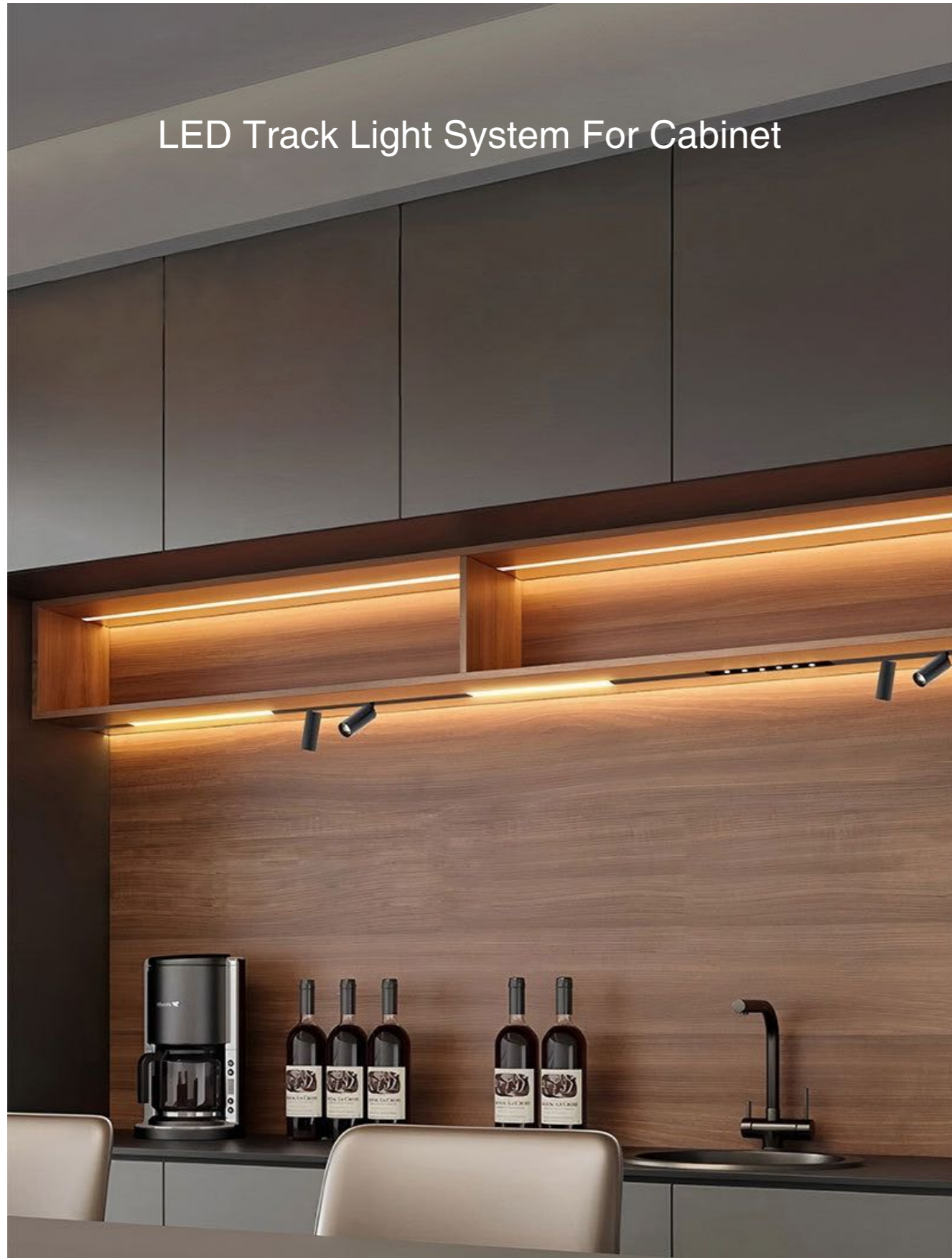
Compatible with 16mm or 18mm thick shelf
(with wire connection to LED Lamp)
Hole size: $\Phi 12\text{mm}$

Power Sending Ends for Side Panel



LED Lamp with Integrated Power Tap





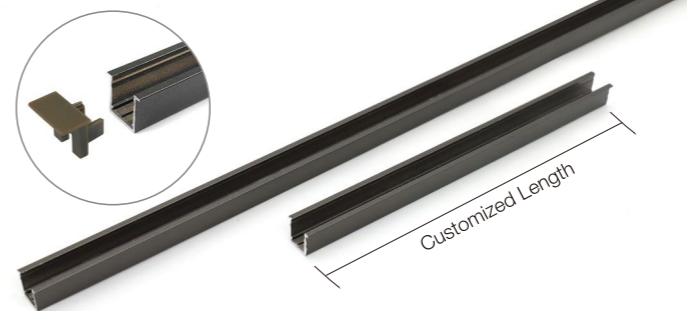
LED Track Light System For Cabinet

FEATURES

- Ultra-slim guide rail (10×10mm), perfectly blends with furniture and cabinets.
- Compatible with various types of lighting, including flood lights, grille lights, spotlights, etc.
- Each light comes in multiple lengths to fit cabinets of different sizes.
- No polarity requirement - no risk of short circuit.
- Snap-on installation allows for easy replacement at any time, even after installation.



MLX-LL1
10*10 Track Rail



Model	MLX-LL1
Size	L1000*W9.9*H9.8mm
Material	Aluminum
Color	Black, Silver, Dark grey
Length	Customized

MLX-LL1D.1
Power Cable



Model	MLX-LL1D.1
Size	L20*W7.7*H8mm
Material	Aluminum
Cable Length	1800mm

MLX-LL1D.2
Direct Cable



Model	MLX-LL1D.2
Size	L20*W7.7*H8mm
Material	Aluminum

MLX-LL1D.3
Corner Cable



Model	MLX-LL1D.3
Size	L20*W7.7*H8mm
Material	Aluminum



MLX-LL1D.2 Direct Cable

MLX-LL1D.3 Corner Cable

MLX-LL1D.1 Power Cable

MLX-LL1A
Flood Light



Model	MLX-LL1A
Size	W8*H8.6mm
Length	200/400/600/800/1000
Wattage	2W/4W/6W/8W/10W
Voltage	DC12V
CCT	3000K/4000K/6000K
CRI	>90
Material	Aluminum

MLX-LL1B
Grille Light



Model	MLX-LL1B
Size	W8*H8.6mm
Length	116(6heads)/310(18heads)
Voltage	DC12V
Wattage	2W/6W
CCT	3000K/4000K/6000K
CRI	>90
Material	Aluminum

MLX-LL1C
Spot Light

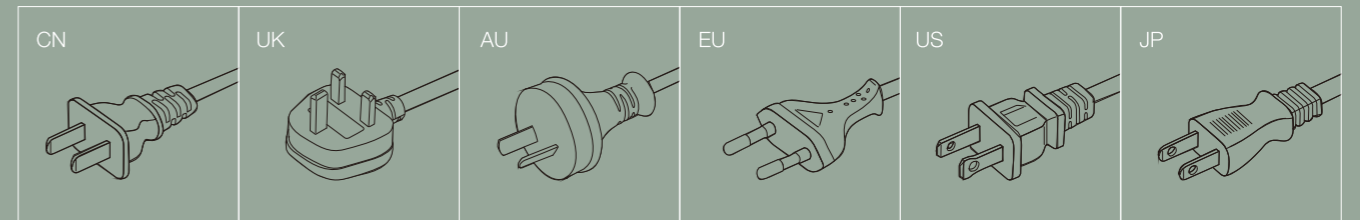
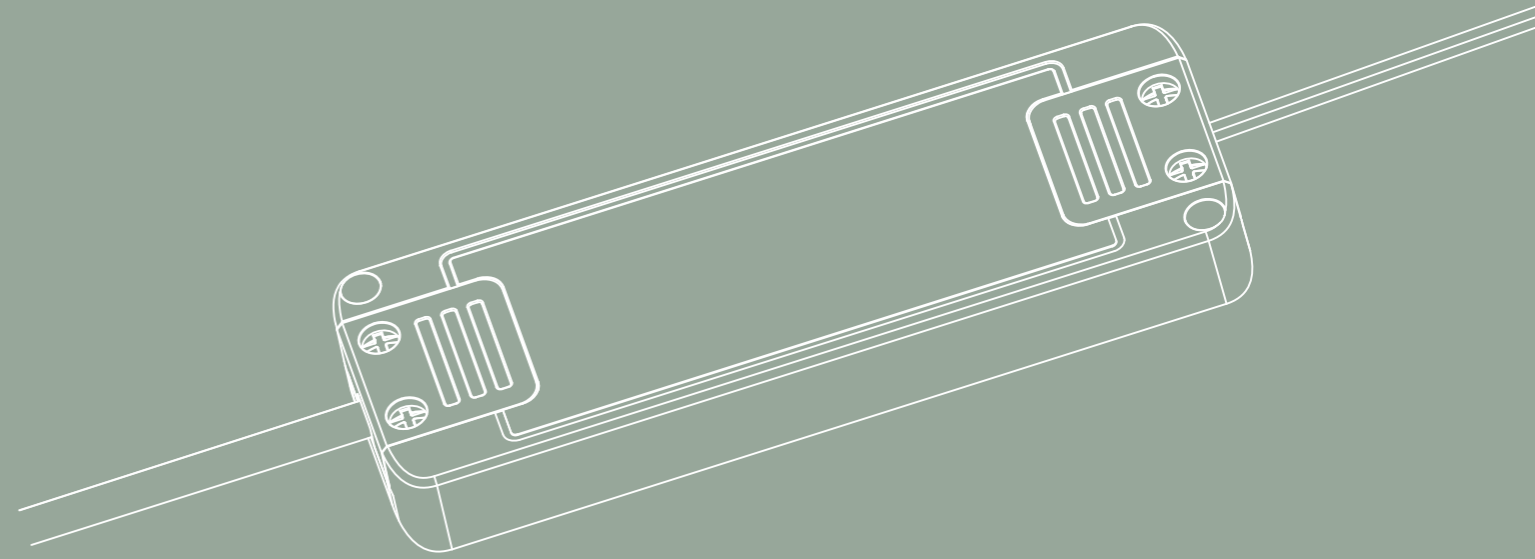


Model	MLX-LL1C
Size	Φ19*H27mm
Voltage	DC12V
Wattage	1.5W
CCT	3000K/4000K/6000K
CRI	>90
Material	Aluminum

C

LED Driver Series

- 01 Serial number: PZ
- 02 Serial number: FG
- 03 Serial number: G
- 04 Serial number: T1
- 05 Serial number: T2
- 06 Serial number: A





MLX-PZ Series(15mm) Constant Voltage Power Supply

10W / 20W / 40W / 60W / 100W / 150W



CE (LVD & EMC) RoHS Reach ERP

CE RoHS Reach ERP SELV

12V & 24V System Both

PF: 0.5 / 0.8



CE RoHS Reach ERP SELV

12V & 24V System Both

PF: 0.5 / 0.95



CE RoHS Reach ERP SELV

12V & 24V System Both

PF: 0.5 / 0.95



CE RoHS Reach ERP SELV

12V & 24V System Both

PF: 0.5 / 0.95



Model: MLX-PZ5B1210E / MLX-PZ5B1210E-EC
MLX-PZ5B1220E / MLX-PZ5B1220E-EC

Size: 150X57X15mm

Input Voltage: 220-240Vac

Output Voltage: DC 12V&24V

Max Wattage: 10W (20W)

PF: 0.5 / 0.8

Certification: LVD / EMC / ROHS / REACH / WEEE / ERP

Model: MLX-PZ5B1240E / MLX-PZ5B1240E-EC

Size: 180X57X15mm

Input Voltage: 220-240Vac

Output Voltage: DC 12V&24V

Max Wattage: 40W

PF: 0.5 / 0.95

Certification: LVD / EMC / ROHS / REACH / WEEE / ERP

Model: MLX-PZ5B1260E / MLX-PZ5B1260E-EC

Size: 210X75X15mm

Input Voltage: 220-240Vac

Output Voltage: DC 12V&24V

Max Wattage: 60W

PF: 0.5 / 0.95

Certification: LVD / EMC / ROHS / REACH / WEEE / ERP

Model: MLX-PZ5B12100E / MLX-PZ5B12100E-EC
MLX-PZ5B24150E / MLX-PZ5B24150E-EC

Size: 230X75X15mm

Input Voltage: 220-240Vac

Output Voltage: DC 12V&24V

Max Wattage: 100W (150W)

PF: 0.5 / 0.95

Certification: LVD / EMC / ROHS / REACH / WEEE / ERP

MLX-FG Series(18mm) Constant Voltage Power Supply

12W / 24W / 36W / 60W / 100W / 150W



CE (LVD & EMC) RoHS Reach ERP

CE RoHS REACH SELV

12V & 24V System Both

PF: 0.5 / 0.8



Model: MLX-P1215FG / MLX-P1215FG-CE
MLX-P1224FG / MLX-P1224FG-CE
Size: 125X45X18mm
Input Voltage: 220-240Vac
Output Voltage: DC 12V&24V
Max Wattage: 15W (24W)
PF: 0.5 / 0.8
Certification: LVD / EMC / ROHS / REACH / WEEE / ERP

CE RoHS REACH SELV

12V & 24V System Both

PF: 0.5 / 0.95



Model: MLX-P1236FG / MLX-P1236FG-CE-D
Size: 144X50X18mm
Input Voltage: 220-240Vac
Output Voltage: DC 12V&24V
Max Wattage: 36W
PF: 0.5 / 0.95
Certification: LVD / EMC / ROHS / REACH / WEEE / ERP

CE RoHS REACH SELV

12V & 24V System Both

PF: 0.5 / 0.95



Model: MLX-P1260FG / MLX-P1260FG-CE-D
Size: 172X61X18mm
Input Voltage: 220-240Vac
Output Voltage: DC 12V&24V
Max Wattage: 60W
PF: 0.5 / 0.95
Certification: LVD / EMC / ROHS / REACH / WEEE / ERP

CE RoHS REACH SELV

12V & 24V System Both

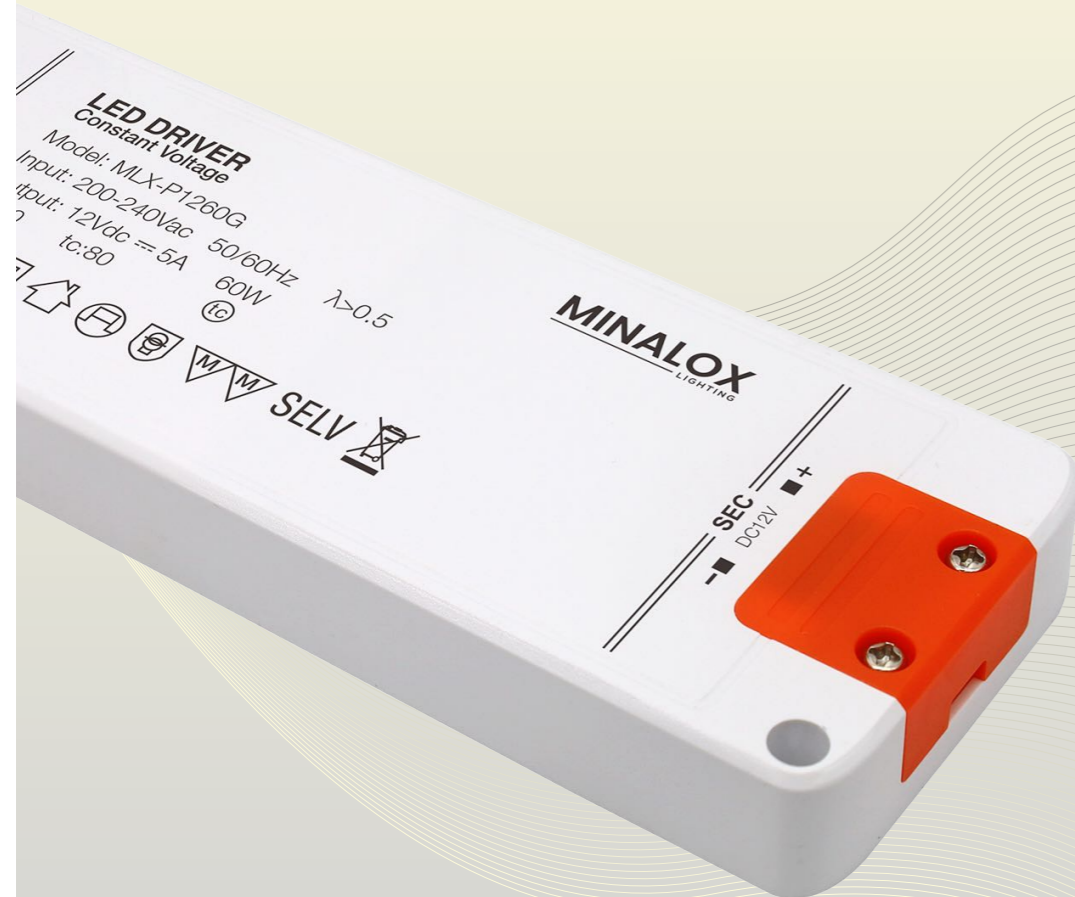
PF: 0.5 / 0.95



Model: MLX-P12100FG / MLX-P12100FG-CE-D
MLX-P12150FG / MLX-P12150FG-CE-D
Size: 201X71X18mm
Input Voltage: 220-240Vac
Output Voltage: DC 12V&24V
Max Wattage: 100W (150W)
PF: 0.5 / 0.95
Certification: LVD / EMC / ROHS / REACH / WEEE / ERP

MLX-G Series Constant Voltage Power Supply

12W / 24W / 36W / 60W / 100W



CE (LVD & EMC) RoHS Reach ERP

CE SELV

PF: 0.5 / 0.8



Model: MLX-P1215G / MLX-P1215G-CE
Size: 130X46X16mm
Input Voltage: 220-240Vac
Output Voltage: DC12V / 24V
Max Wattage: 15W
PF: 0.5
Certification: CE / ROHS

CE SELV

PF: 0.5 / 0.8



Model: MLX-P1224G / MLX-P1224G-CE
Size: 130X46X16mm
Input Voltage: 220-240Vac
Output Voltage: DC12V / 24V
Max Wattage: 24W
PF: 0.5
Certification: CE / ROHS

CE SELV

PF: 0.5 / 0.95



Model: MLX-P1236G / MLX-P1236G-CE-D
Size: 145X52X18mm
Input Voltage: 220-240Vac
Output Voltage: DC12V / 24V
Max Wattage: 36W
PF: 0.5 / 0.95
Certification: CE / ROHS

CE SELV

PF: 0.5 / 0.95



Model: MLX-P1260G / MLX-P1260G-CE-D
Size: 179X61X18mm
Input Voltage: 220-240Vac
Output Voltage: DC12V / 24V
Max Wattage: 60W
PF: 0.5 / 0.95
Certification: CE / ROHS

CE SELV

PF: 0.5 / 0.95



Model: MLX-P12100G / MLX-P12100G-CE-D
Size: 204X71X18mm
Input Voltage: 220-240Vac
Output Voltage: DC12V / 24V
Max Wattage: 100W
PF: 0.5 / 0.95
Certification: CE / ROHS

MLX-T1 Series Constant Voltage Power Supply

100W / 150W / 200W / 250W / 300W



CE (LVD & EMC) RoHS Reach ERP

CE □ ↑ ⊕ ⊗ ⚡ SELV ⚡
PF: 0.5



Model: MLX-P12100-T1
Size: 143X48X24mm
Input Voltage: 170-265Vac
Output Voltage: DC12V / 24V
Max Wattage: 100W
PF: 0.5
Certification: CE / ROHS

CE □ ↑ ⊕ ⊗ ⚡ SELV ⚡
PF: 0.5



Model: MLX-P12150-T1
Size: 183X48X24mm
Input Voltage: 170-265Vac
Output Voltage: DC12V / 24V
Max Wattage: 150W
PF: 0.5
Certification: CE / ROHS

CE □ ↑ ⊕ ⊗ ⚡ SELV ⚡
PF: 0.5



Model: MLX-P12200-T1
Size: 200X48X24mm
Input Voltage: 170-265Vac
Output Voltage: DC12V / 24V
Max Wattage: 200W
PF: 0.5
Certification: CE / ROHS

CE □ ↑ ⊕ ⊗ ⚡ SELV ⚡
PF: 0.5



Model: MLX-P12250-T1
Size: 208X63X18mm
Input Voltage: 170-265Vac
Output Voltage: DC12V / 24V
Max Wattage: 250W
PF: 0.5
Certification: CE / ROHS

CE □ ↑ ⊕ ⊗ ⚡ SELV ⚡
PF: 0.5



Model: MLX-P12300-T1
Size: 208X63X18mm
Input Voltage: 170-265Vac
Output Voltage: DC12V / 24V
Max Wattage: 300W
PF: 0.5
Certification: CE / ROHS

MLX-T2 Series Constant Voltage Power Supply

100W / 150W / 200W / 300W / 400W



CE (LVD & EMC) RoHS Reach ERP

CE □ ⚡ Ⓢ Ⓜ Ⓜ SELV Ⓢ
PF: 0.5



Model: MLX-P12100-T2
Size: 195X53X22mm
Input Voltage: 170-265Vac
Output Voltage: DC12V / 24V
Max Wattage: 100W
PF: 0.5
Certification: CE / ROHS

CE □ ⚡ Ⓢ Ⓜ Ⓜ SELV Ⓢ
PF: 0.5



Model: MLX-P12150-T2
Size: 250X53X22mm
Input Voltage: 170-265Vac
Output Voltage: DC12V / 24V
Max Wattage: 150W
PF: 0.5
Certification: CE / ROHS

CE □ ⚡ Ⓢ Ⓜ Ⓜ SELV Ⓢ
PF: 0.5



Model: MLX-P12200-T2
Size: 282X53X22mm
Input Voltage: 170-265Vac
Output Voltage: DC12V / 24V
Max Wattage: 200W
PF: 0.5
Certification: CE / ROHS

CE □ ⚡ Ⓢ Ⓜ Ⓜ SELV Ⓢ
PF: 0.5



Model: MLX-P12300-T2
Size: 282X53X22mm
Input Voltage: 170-265Vac
Output Voltage: DC12V / 24V
Max Wattage: 300W
PF: 0.5
Certification: CE / ROHS

CE □ ⚡ Ⓢ Ⓜ Ⓜ SELV Ⓢ
PF: 0.5



Model: MLX-P12400-T2
Size: 358X65X22mm
Input Voltage: 170-265Vac
Output Voltage: DC12V / 24V
Max Wattage: 400W
PF: 0.5
Certification: CE / ROHS

MLX-A Series Constant Voltage Power Supply

12W / 24W / 36W / 60W



CE RoHS SELV CB UL PF: 0.5



Model: MLX-P1212A EU
Size: 76X38X23mm
Input Voltage: 100-240Vac
Output Voltage: DC12V /24V
Max Wattage: 12W
PF: 0.5
Certification: UL / CE / ROHS

CE RoHS SELV CB UL PF: 0.5



Model: MLX-P1224A EU
Size: 95X43X23mm
Input Voltage: 100-240Vac
Output Voltage: DC12V /24V
Max Wattage: 24W
PF: 0.5
Certification: UL / CE / ROHS

CE RoHS SELV CB UL PF: 0.5



Model: MLX-P1236A EU
Size: 95X43X23mm
Input Voltage: 100-240Vac
Output Voltage: DC12V /24V
Max Wattage: 36W
PF: 0.5
Certification: UL / CE / ROHS

CE RoHS SELV CB UL PF: 0.5

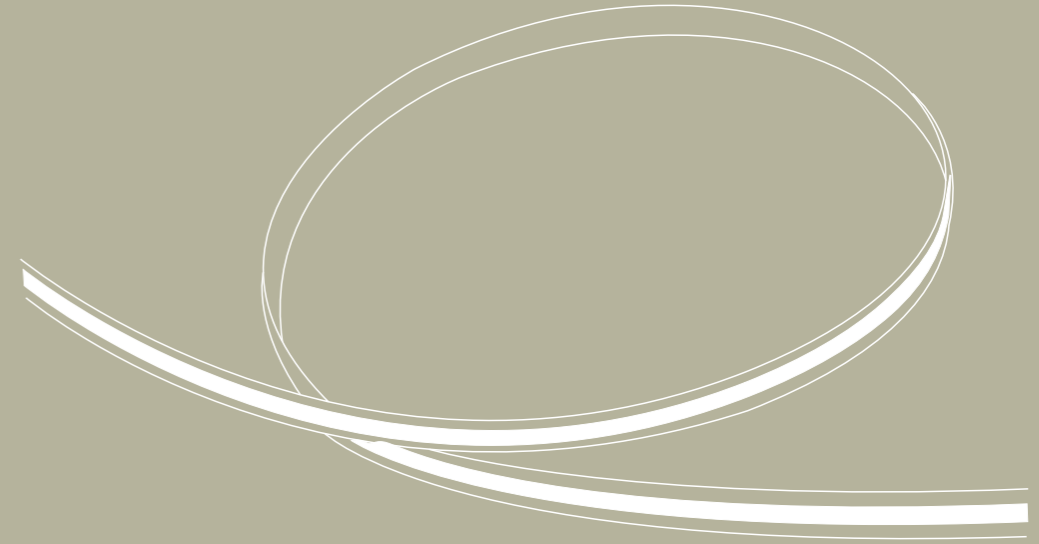


Model: MLX-P1260A EU
Size: 113X45X30mm
Input Voltage: 100-240Vac
Output Voltage: DC12V /24V
Max Wattage: 60W
PF: 0.5
Certification: UL / CE / ROHS



Flexible Light Series

- 01 COB Flexible Light Series
- 02 SCOB Flexible Light Series
- 03 SMD Flexible Light Series
- 04 Quick Connector Series





COB Flexible Light Series



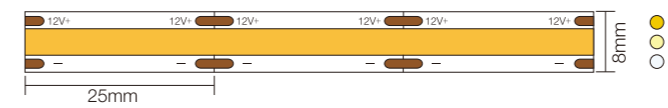
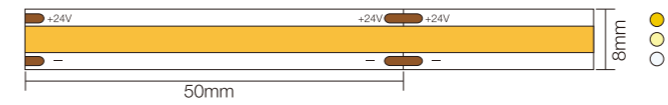
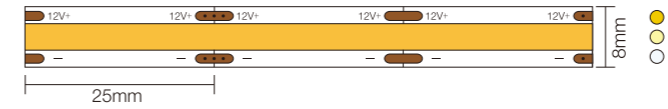
FEATURES

- 12V, 24V power supply, safe and reliable.
- Line in led chips design, lighting soft without dots.
- Using high-quality chip light source, long warranty.
- Irregular design body decoration, suitable for living room, showroom, etc.



SINGLE COLOR-COB LED Strip (3-year warranty)

COB-320 Series



12VDC	8W/m	320pcs/m	80LM/m	CRI>90
-------	------	----------	--------	--------

FC320W8-7: Roll to Roll Design

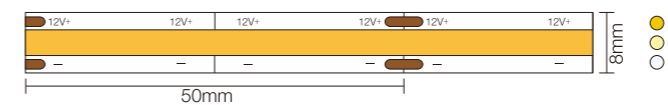
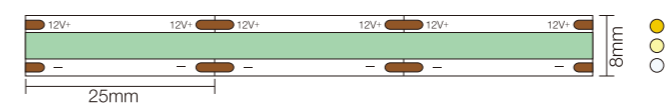
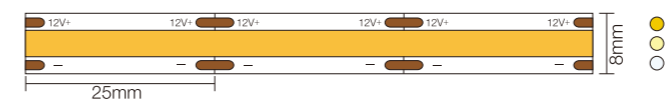
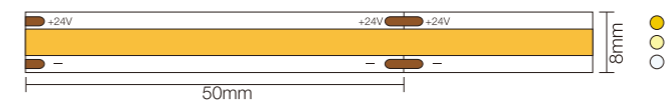
24VDC	8W/m	320pcs/m	80LM/m	CRI>90
-------	------	----------	--------	--------

FC320W8-6: Roll to Roll Design

12VDC	10W/m	320pcs/m	110LM/m	CRI>90
-------	-------	----------	---------	--------

FC320W8-8: Custom-available(Watt/Lumen/LOGO.etc)

COB-480 Series



12VDC	10W/m	480pcs/m	90LM/m	CRI>90
-------	-------	----------	--------	--------

FC480W8-8: Roll to Roll Design

24VDC	10W/m	480pcs/m	90LM/m	CRI>90
-------	-------	----------	--------	--------

FC480W8-6: Roll to Roll Design

12VDC	10.5W/m	480pcs/m	90LM/m	CRI>90
-------	---------	----------	--------	--------

FC480W8-7: Roll to Roll Design, Colors selectable

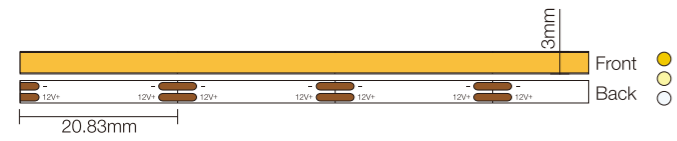
12VDC	10.5W/m	480pcs/m	75LM/m	CRI>90
-------	---------	----------	--------	--------

FC480W8-9: Roll to Roll Design, Colors selectable

12VDC	10W/m	480pcs/m	90LM/m	CRI>90
-------	-------	----------	--------	--------

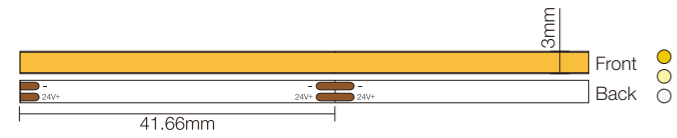
FC480W8-10: Custom-available(Watt/Lumen/LOGO.etc)

COB-384 Series



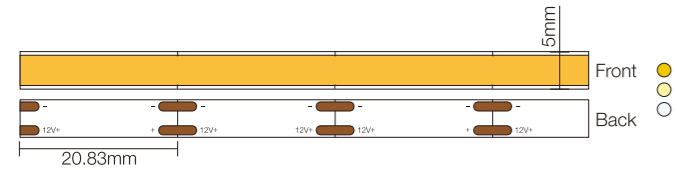
12VDC	7W/m	384pcs/m	90LM/m	CRI>90
-------	------	----------	--------	--------

FC384W3-1: 3mm Ultra Narrow Size, Custom-available



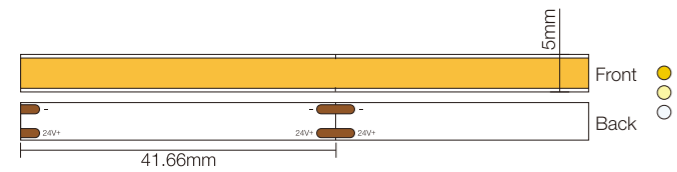
24VDC	7W/m	384pcs/m	90LM/m	CRI>90
-------	------	----------	--------	--------

FC384W3-2: 3mm Ultra Narrow Size, Custom-available



12VDC	10W/m	384pcs/m	90LM/m	CRI>90
-------	-------	----------	--------	--------

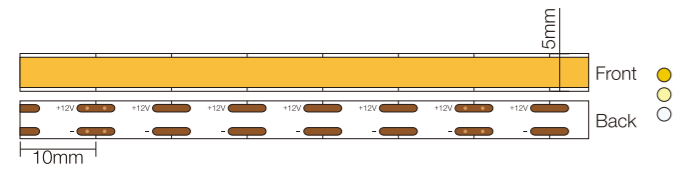
FC384W5-1: 5mm Regular Size, Custom-available



24VDC	10W/m	384pcs/m	90LM/m	CRI>90
-------	-------	----------	--------	--------

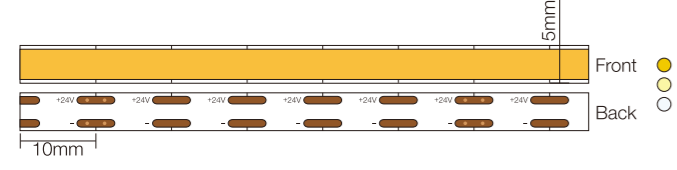
FC384W5-2: 5mm Regular Size, Custom-available

COB-400 Series



12VDC	10W/m	400pcs/m	80LM/m	CRI>90
-------	-------	----------	--------	--------

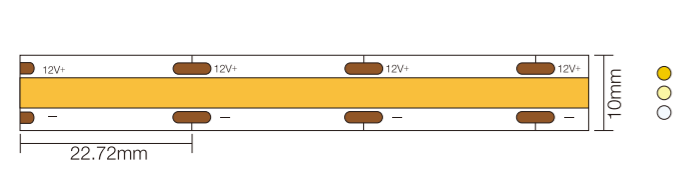
FC400W5-1: Ultra Short Cutting Set- Only 10mm Per cut



24VDC	10W/m	400pcs/m	80LM/m	CRI>90
-------	-------	----------	--------	--------

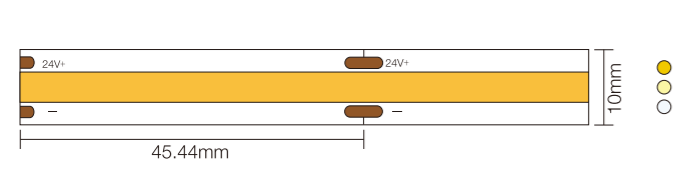
FC400W5-2: Ultra Short Cutting Set- Only 10mm Per cut

COB-528 Series



12VDC	14W/m	528pcs/m	100LM/m	CRI>90
-------	-------	----------	---------	--------

FC528W10-1: Roll to Roll Design

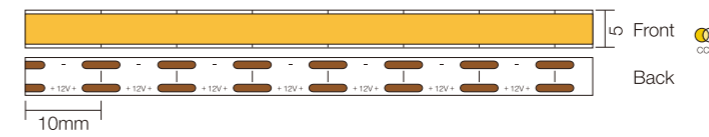


24VDC	14W/m	528pcs/m	100LM/m	CRI>90
-------	-------	----------	---------	--------

FC528W10-2: Roll to Roll Design

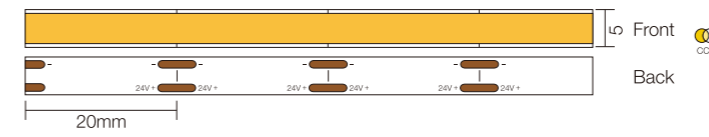
DUAL COLOR-COB LED Strip (3-year warranty)

2 Wires CCT



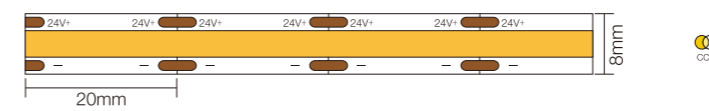
12VDC	7+7W/m	600pcs/m	60-80LM/m	CRI>90
-------	--------	----------	-----------	--------

FC600W5-2: Dual Color- 2 Wires, 5mm Width



24VDC	7+7W/m	600pcs/m	60-80LM/m	CRI>90
-------	--------	----------	-----------	--------

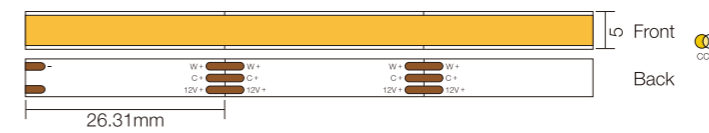
FC600W5-1: Dual Color- 2 Wires, 5mm Width



24VDC	7+7W/m	600pcs/m	60-80LM/m	CRI>90
-------	--------	----------	-----------	--------

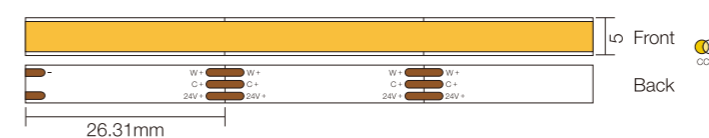
FC600W8-1: Dual Color- 2 Wires, 8mm Width

3 Wires CCT



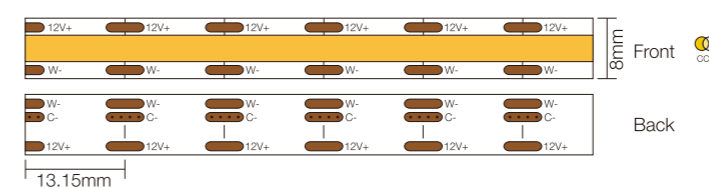
12VDC	6+6W/m	608pcs/m	80-100LM/m	CRI>90
-------	--------	----------	------------	--------

FC608W5-1: Dual Color- 3 Wires, 5mm Width



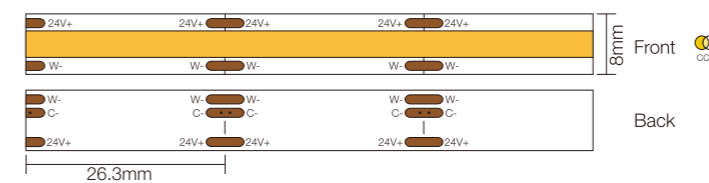
24VDC	6+6W/m	608pcs/m	80-100LM/m	CRI>90
-------	--------	----------	------------	--------

FC608W5-2: Dual Color- 3 Wires, 5mm Width



12VDC	6+6W/m	608pcs/m	80-100LM/m	CRI>90
-------	--------	----------	------------	--------

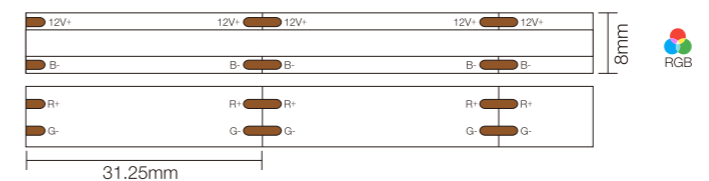
FC608W8-1: Dual Color- 3 Wires, 8mm Width



24VDC	6+6W/m	608pcs/m	80-100LM/m	CRI>90
-------	--------	----------	------------	--------

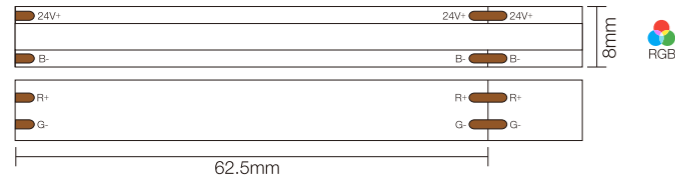
FC608W8-2: Dual Color- 3 Wires, 8mm Width

DUAL COLOR-COB LED Strip (3-year warranty)



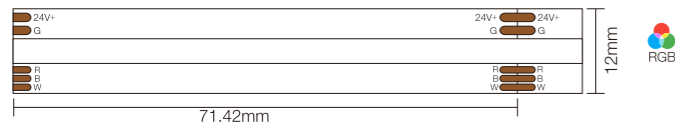
12VDC	10W/m	576pcs/m	40LM/m	CRI>90
-------	-------	----------	--------	--------

FC576W8-1: RGB COLORS, Custom-available



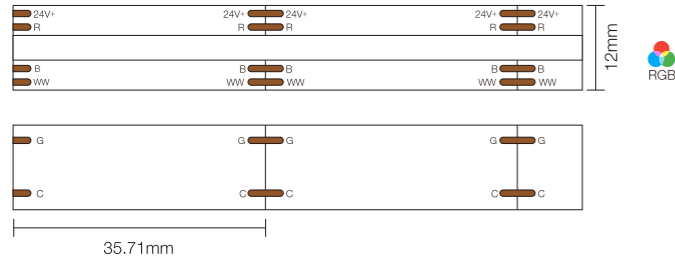
12VDC	10W/m	765pcs/m	40LM/m	CRI>90
-------	-------	----------	--------	--------

F576W8-2: RGB COLORS, Custom-available



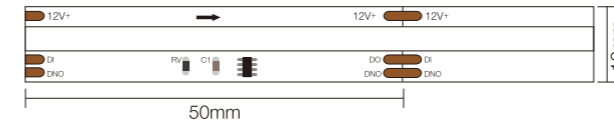
24VDC	19W/m	784pcs/m	50LM/m	CRI>90
-------	-------	----------	--------	--------

F784W12-1: RGBW COLORS, Custom-available



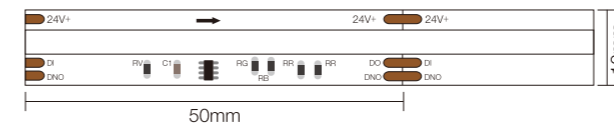
12VDC	21W/m	840pcs/m	50LM/m	CRI>90
-------	-------	----------	--------	--------

F840W12-1: RGBCW COLORS, Custom-available



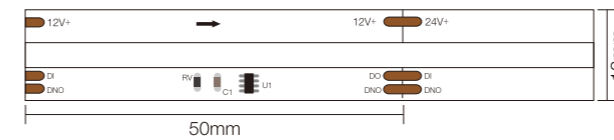
12VDC	16W/m	720pcs/m	/	CRI>90
-------	-------	----------	---	--------

FC720W10-1: RGB COB in Running Strip light, 720pcs/m,10mm



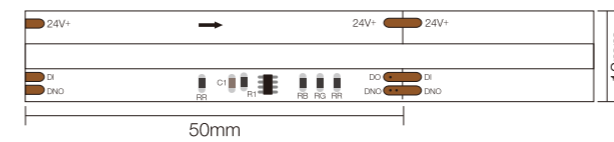
24VDC	16W/m	720pcs/m	/	CRI>90
-------	-------	----------	---	--------

FC720W10-2: RGB COB in Running Strip light, 720pcs/m,10mm



12VDC	10W/m	720pcs/m	/	CRI>90
-------	-------	----------	---	--------

FC720W12-1: RGB COB in Running Strip light, 720pcs/m,12mm



24VDC	19W/m	720pcs/m	/	CRI>90
-------	-------	----------	---	--------

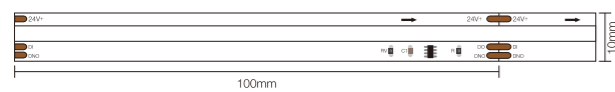
FC720W10-2: RGB COB in Running Strip light, 720pcs/m,12mm

Color Change/ Running-COB LED Strip (3-year warranty)



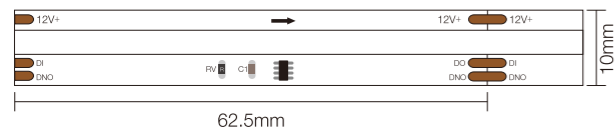
12VDC	14W/m	420pcs/m	/	CRI>90
-------	-------	----------	---	--------

FC420W10-1: RGB COB in Running Strip light, 420pcs/m



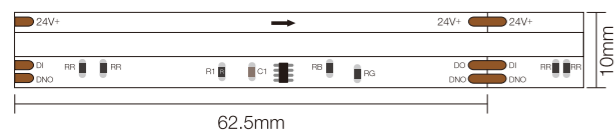
24VDC	14W/m	420pcs/m	/	CRI>90
-------	-------	----------	---	--------

FC420W10-1: RGB COB in Running Strip light, 420pcs/m



12VDC	8W/m	576pcs/m	/	CRI>90
-------	------	----------	---	--------

FC576W10-2: RGB COB in Running Strip light, 576pcs/m



24VDC	8W/m	576pcs/m	/	CRI>90
-------	------	----------	---	--------

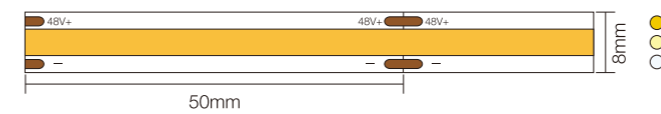
FC576W10-3: RGB COB in Running Strip light, 576pcs/m

Special Features-COB LED Strip (3-year warranty)



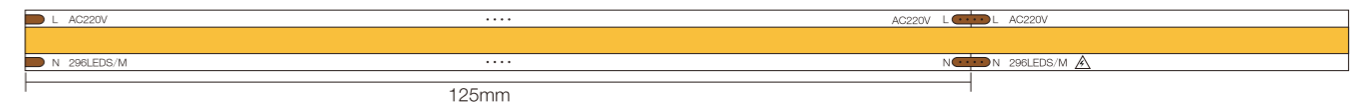
12VDC	7W/m	320pcs/m	100LM/m	CRI>90
-------	------	----------	---------	--------

FC320W6.6-1: Cutting Free design, Roll to Roll



48VDC	8W/m	480pcs/m	100LM/m	CRI>90
-------	------	----------	---------	--------

FC480W8-11: Custom-Made, 48V Series



220VAC	10W/m	296pcs/m	90LM/m	CRI>90
--------	-------	----------	--------	--------

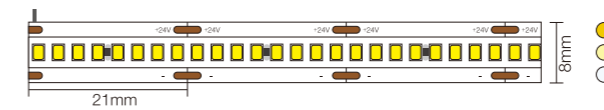
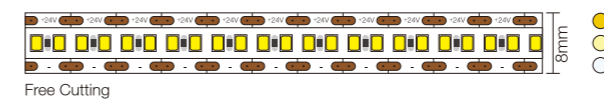
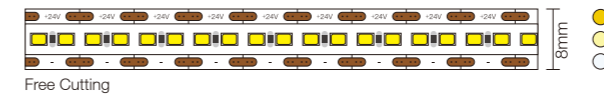
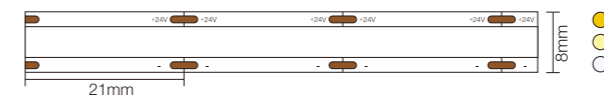
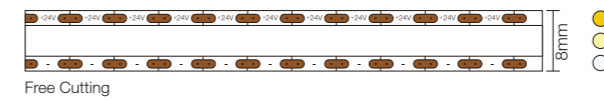
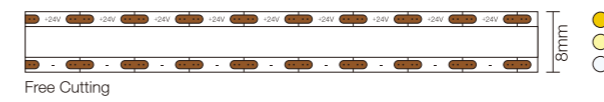
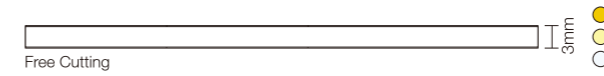
FC296W8-1: Custom-Made, 220V Series

SCOB Flexible Light Series



FEATURES

- Lighting soft and even without dots.
- Compared to COB series, more brightness, up to 130lm per watt.
- Using SMD instead of small led chips, color temperature become more stable in long time use.
- High quality with long warranty, up to 5 years.



24VDC	5W/m	300pcs/m	90LM/m	CRI>90
-------	------	----------	--------	--------

SCOB: 24V-1515-300LED-W3 (Ultra 3mm Slim, Free Cutting Design)

24VDC	10W/m	256pcs/m	90LM/m	CRI>90
-------	-------	----------	--------	--------

SCOB: 24V-2216-256LED-W8 (Free Cutting Design, 256pcs/m)

24VDC	10W/m	300pcs/m	110LM/m	CRI>90
-------	-------	----------	---------	--------

SCOB: 24V-2216-300LED-W8 (Free Cutting Design, 300pcs/m)

24VDC	10W/m	320pcs/m	120LM/m	CRI>90
-------	-------	----------	---------	--------

SCOB: 24V-2216-320LED-W8 (High Brightness Design, 320pcs/m)

24VDC	5W/m	300pcs/m	90LM/m	CRI>90
-------	------	----------	--------	--------

SCOB: 24V-1515-300LED-W3 (Ultra 3mm Slim, Free Cutting Design)

24VDC	10W/m	256pcs/m	90LM/m	CRI>90
-------	-------	----------	--------	--------

SCOB: 24V-2216-256LED-W8 (Free Cutting Design, 256pcs/m)

24VDC	10W/m	300pcs/m	110LM/m	CRI>90
-------	-------	----------	---------	--------

SCOB: 24V-2216-300LED-W8 (Free Cutting Design, 300pcs/m)

24VDC	10W/m	320pcs/m	120LM/m	CRI>90
-------	-------	----------	---------	--------

SCOB: 24V-2216-320LED-W8 (High Brightness Design, 320pcs/m)

SMD Flexible Light Series

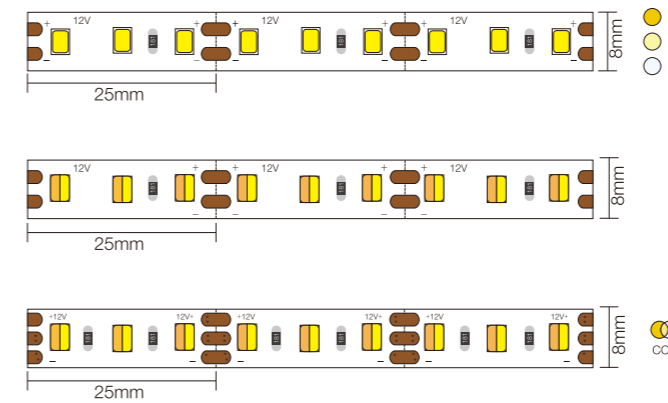


FEATURES

- 12V, 24V power supply, safe and reliable.
- Using high-quality chip light source, Long warranty.
- Multi led quantity per meter for selection, such as 120/168/240pcs per meter, etc
- Irregular design body decoration, suitable for living room, showroom, etc.



Regular SMD 2835 Series



12VDC	10W/m	120pcs/m	90LM/m	CRI>90
-------	-------	----------	--------	--------

12V-2835-120LED-W8

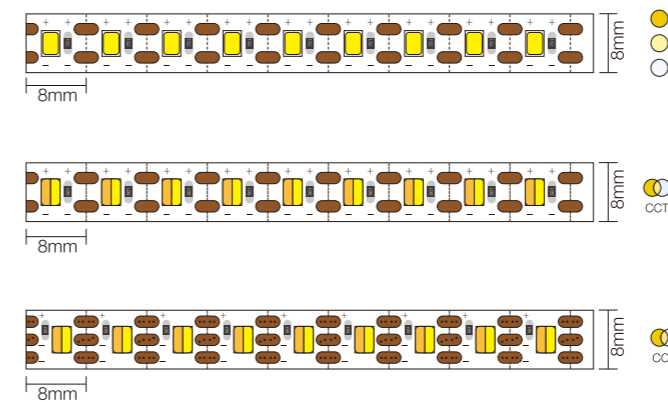
12VDC	10W/m	120pcs/m	70-90LM/m	CRI>90
-------	-------	----------	-----------	--------

12V-2835-120LED-W8 (Dual Color 2 Wires)

12VDC	10W/m	120pcs/m	70-90LM/m	CRI>90
-------	-------	----------	-----------	--------

12V-2835-120LED-W8 (Dual Color 3 Wires)

Cutting-Free SMD 2835 Series



12VDC	7.2W/m	120pcs/m	90LM/m	CRI>90
-------	--------	----------	--------	--------

12V-2835-120LED-W8

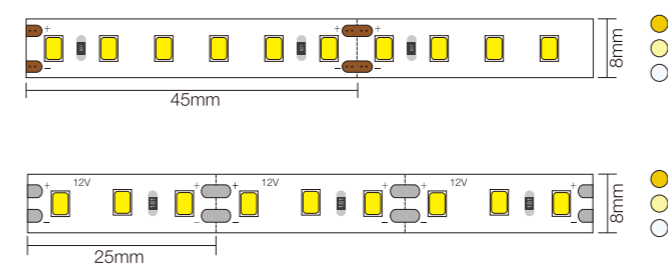
12VDC	10W/m	120pcs/m	80-90LM/m	CRI>90
-------	-------	----------	-----------	--------

12V-2835-120LED-W8 (Dual Color 2 Wires)

12VDC	10W/m	120pcs/m	70-90LM/m	CRI>90
-------	-------	----------	-----------	--------

12V-2835-120LED-W8 (Dual Color 3 Wires)

Featured SMD Strip Light Series

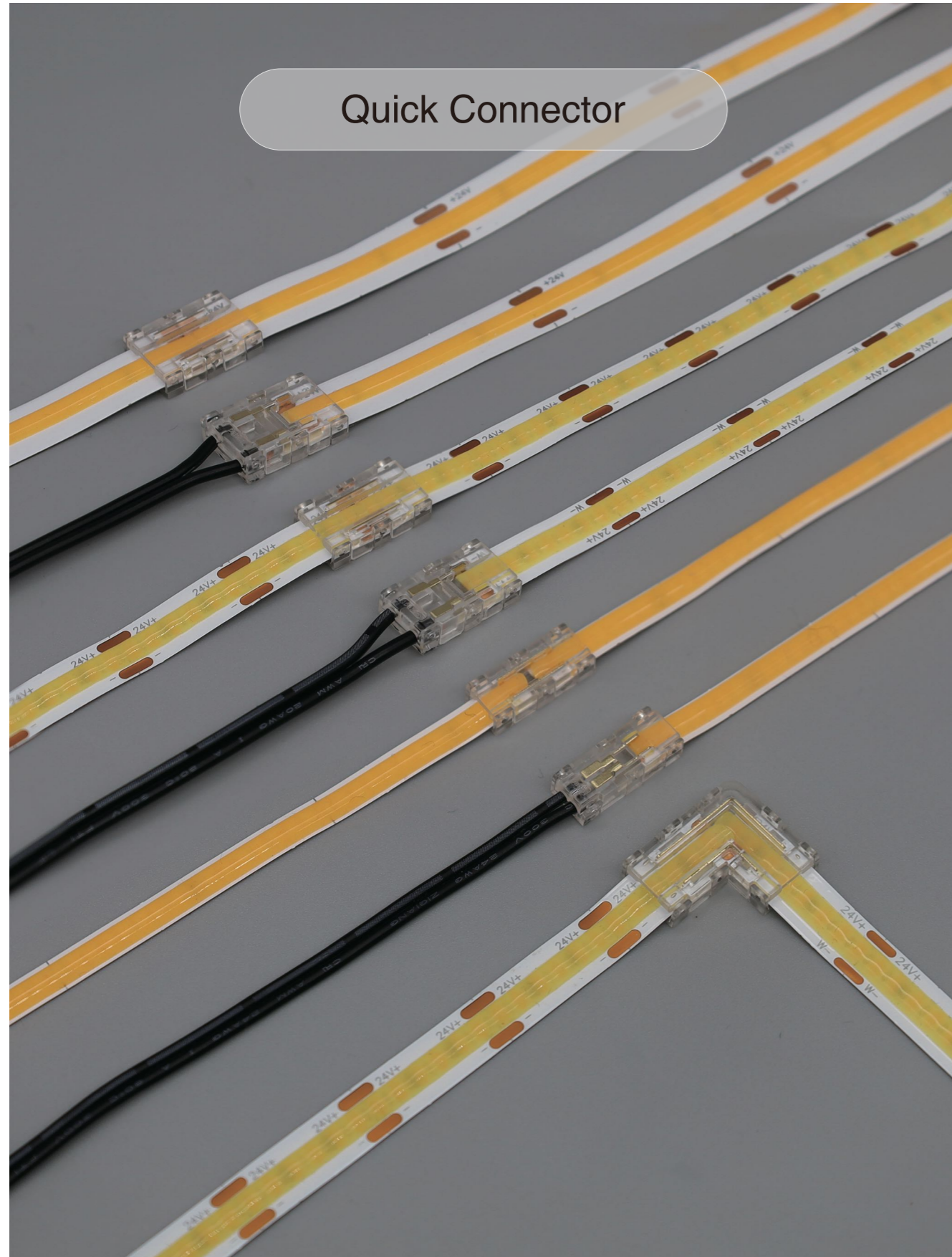


24VDC	10W/m	132pcs/m	90LM/m	CRI>90
-------	-------	----------	--------	--------

24V-2835-132LED-W8 (Cutting-Free NEW DESIGN)

12VDC	10W/m	120pcs/m	100LM/m	CRI>90
-------	-------	----------	---------	--------

12V-2835-120LED-W8 (Design For Mirror)



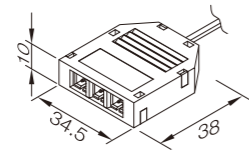
Quick Connector

<p>MLX-OA2P-5</p>	<p>FPC to Wire (5mm Width)</p>	<p>MLX-OB2P-5</p>	<p>FPC to FPC (5mm Width)</p>
<p>MLX-OA2P-8</p>	<p>FPC to Wire (8mm Width)</p>	<p>MLX-OB2P-8</p>	<p>FPC to FPC (8mm Width)</p>
<p>MLX-OA2P-10</p>	<p>FPC to Wire (10mm Width)</p>	<p>MLX-OB2P-10</p>	<p>FPC to FPC (10mm Width)</p>
<p>MLX-OB2P-8-L</p>		<p>FPC to FPC (8mm Width)</p>	

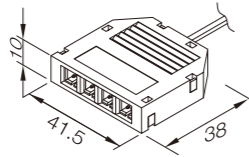
FEATURES

- Suitable for different strip light width, 5 & 8 & 10mm,etc
- SMD and COB led strip light both available (Different type)
- Including FPC to FPC, FPC to wire.etc
- Use repeatedly

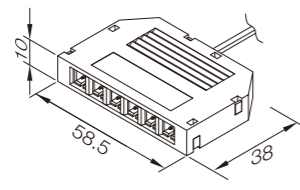
LED Distributor



Model MLX-MF01-3way
Connector 3-Way
Color Black / White
Length 1800mm
Packing 10pcs/bag

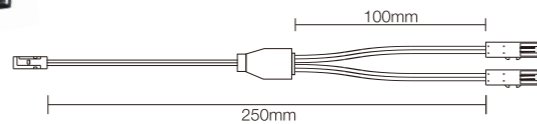


Model MLX-MF01-4way
Connector 4-Way
Color Black / White
Length 1800mm
Packing 10pcs/bag



Model MLX-MF01-6way
Connector 6-Way
Color Black / White
Length 1800mm
Packing 10pcs/bag

LED Y-line



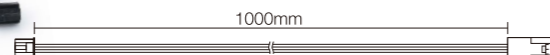
Model MLX-MF02
Connector 2-Way
Color Black / White
Length 250mm
Packing 10pcs/bag

Dupont Extension Cable



Model MLX-MY01
Color Black / White
Length 1800mm
Packing 10pcs/bag

Extension Cable Of Sensor Head



Model MLX-MY03
Color Black / White
Length 1000mm
Packing 10pcs/bag

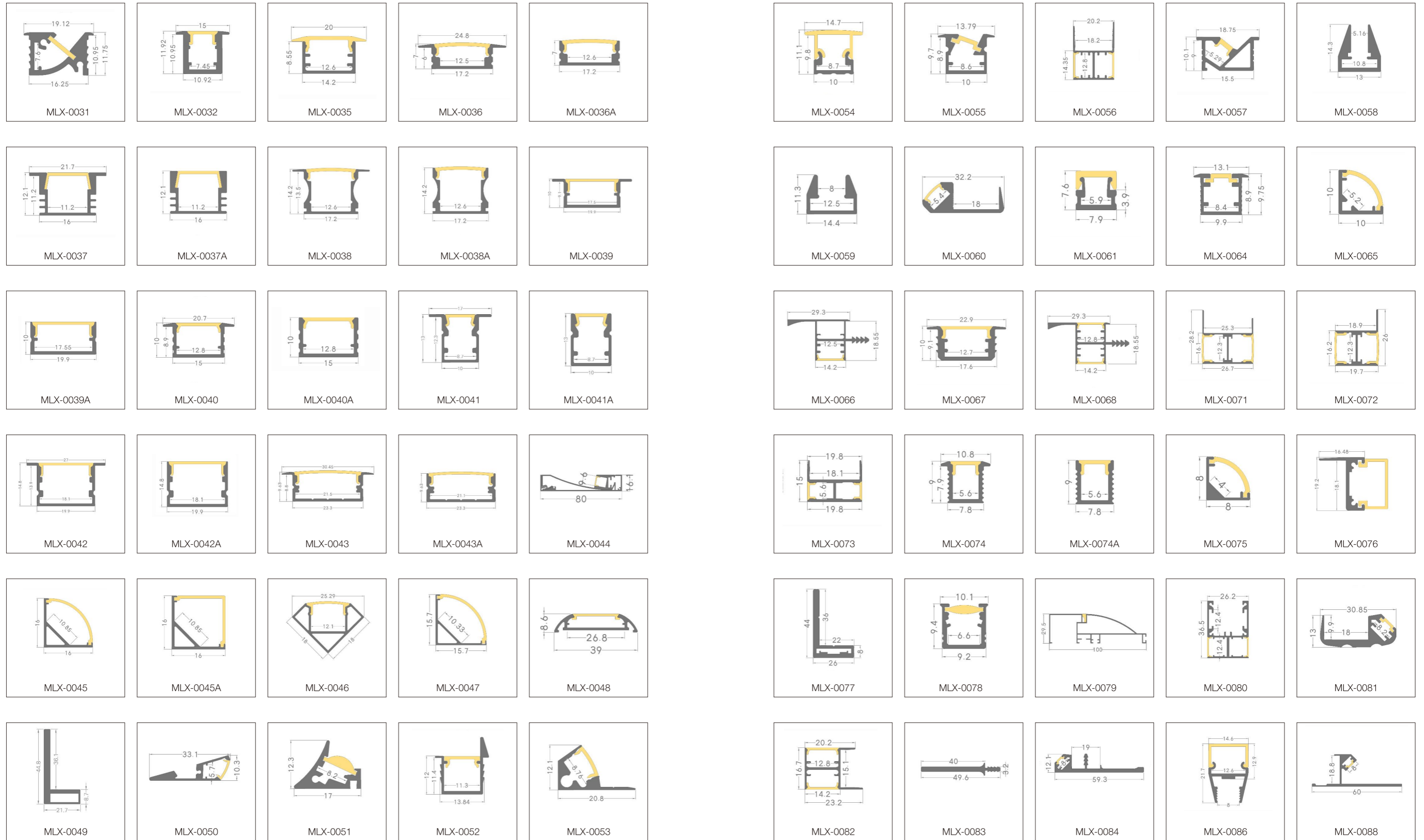
Show Panel Series

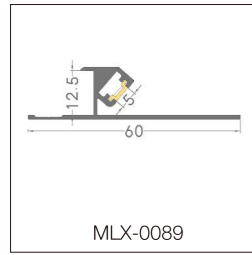
Panel A	Panel B	Panel C	Panel D
Panel E	Panel F	Panel G	Panel H



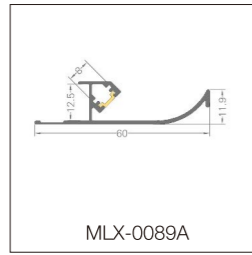
Aluminium Profile Appendix

MLX-001	MLX-002	MLX-003	MLX-004	MLX-005
MLX-006	MLX-007	MLX-008	MLX-009	MLX-010
MLX-011	MLX-012	MLX-013	MLX-014	MLX-015
MLX-016	MLX-017	MLX-0018	MLX-0019	MLX-0020
MLX-0021	MLX-0022	MLX-0023	MLX-0024	MLX-0025
MLX-0026	MLX-0027	MLX-0028	MLX-0029	MLX-0030

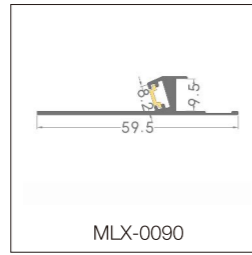




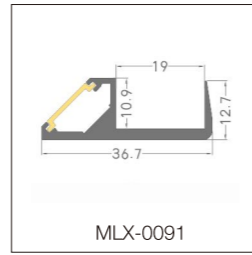
MLX-0089



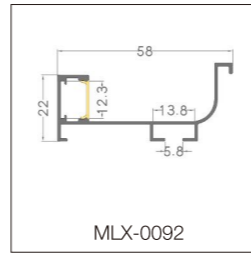
MLX-0089A



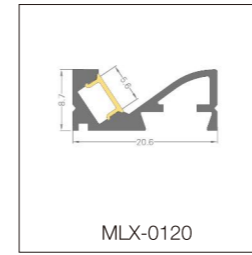
MLX-0090



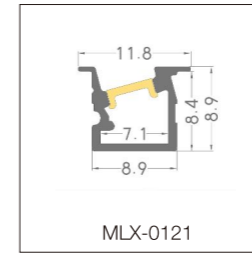
MLX-0091



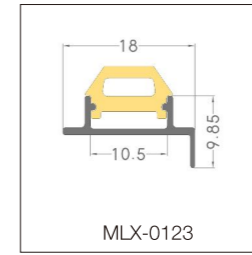
MLX-0092



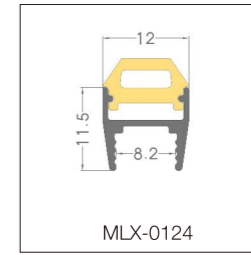
MLX-0120



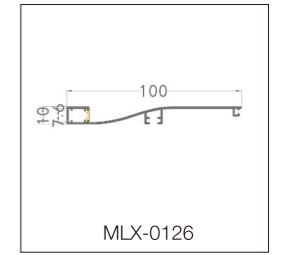
MLX-0121



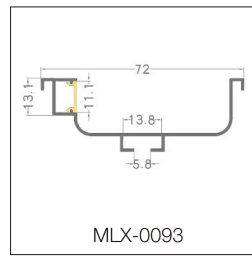
MLX-0123



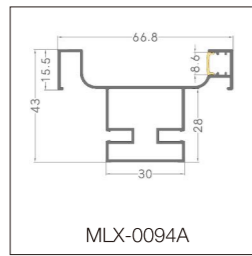
MLX-0124



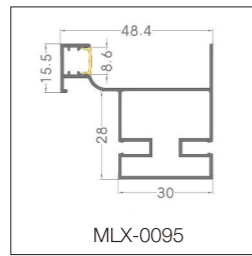
MLX-0126



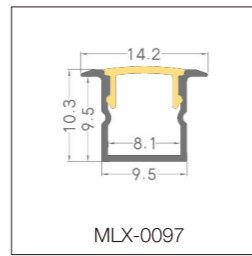
MLX-0093



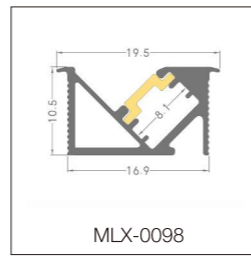
MLX-0094A



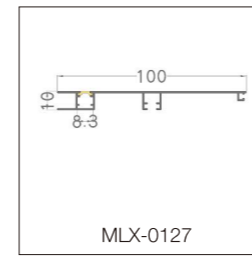
MLX-0095



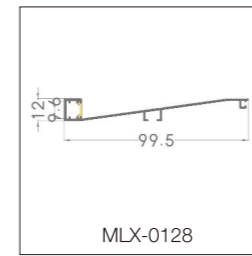
MLX-0097



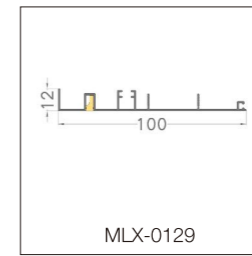
MLX-0098



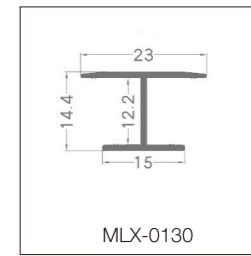
MLX-0127



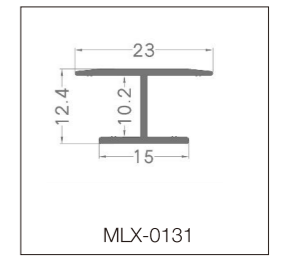
MLX-0128



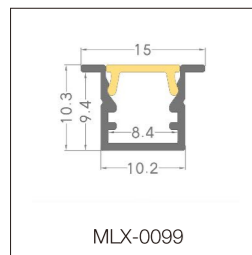
MLX-0129



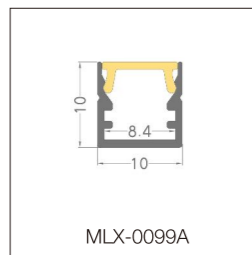
MLX-0130



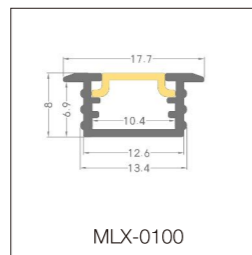
MLX-0131



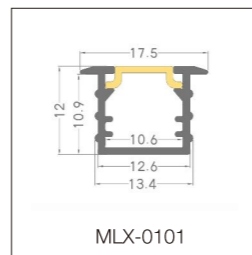
MLX-0099



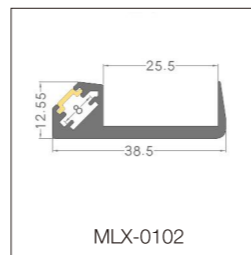
MLX-0099A



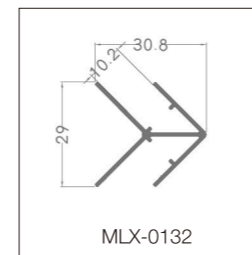
MLX-0100



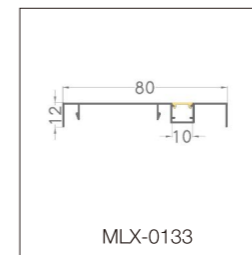
MLX-0101



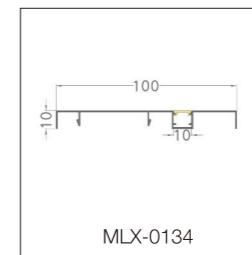
MLX-0102



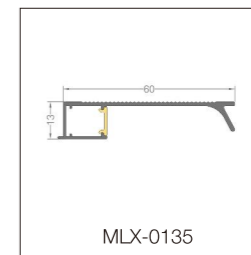
MLX-0132



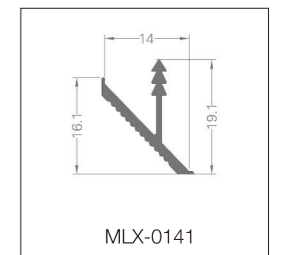
MLX-0133



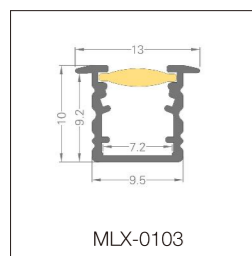
MLX-0134



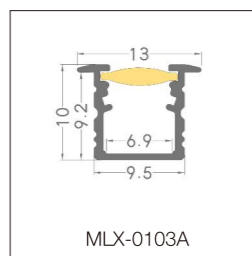
MLX-0135



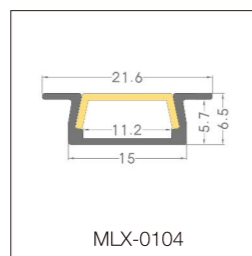
MLX-0141



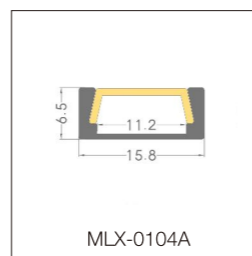
MLX-0103



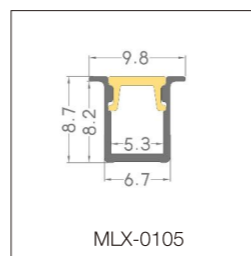
MLX-0103A



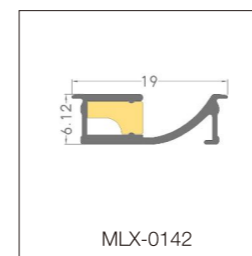
MLX-0104



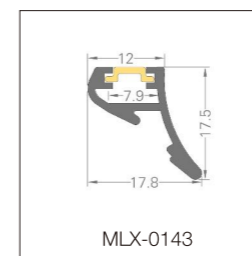
MLX-0104A



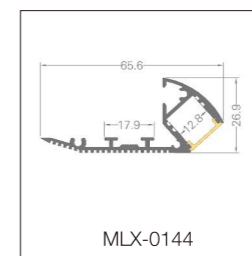
MLX-0105



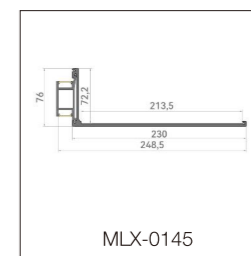
MLX-0142



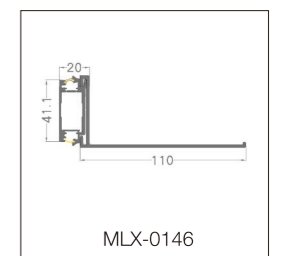
MLX-0143



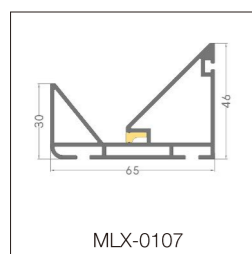
MLX-0144



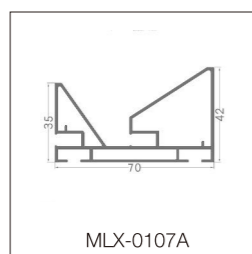
MLX-0145



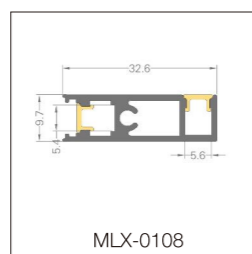
MLX-0146



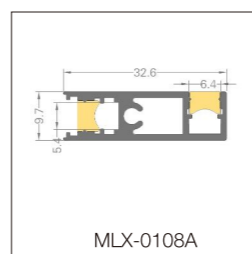
MLX-0107



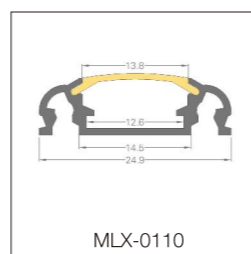
MLX-0107A



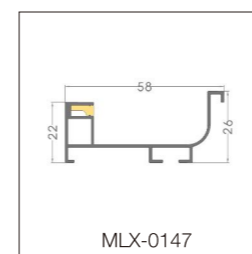
MLX-0108



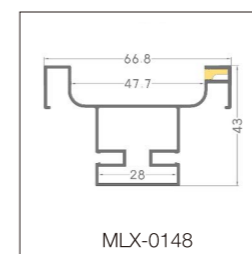
MLX-0108A



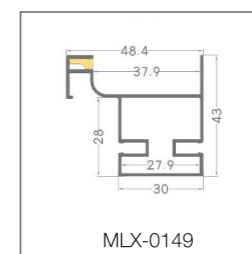
MLX-0110



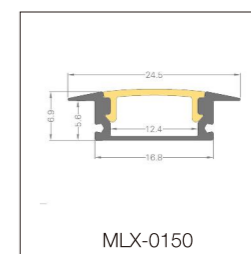
MLX-0147



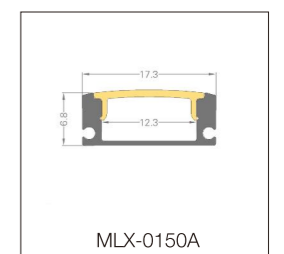
MLX-0148



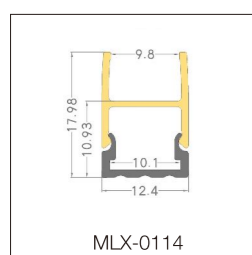
MLX-0149



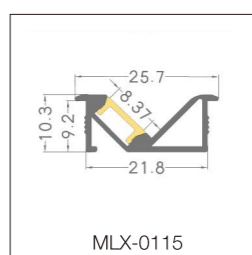
MLX-0150



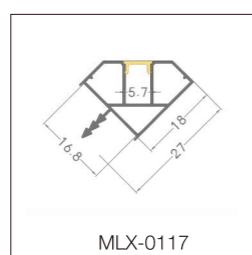
MLX-0150A



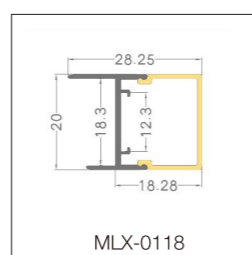
MLX-0114



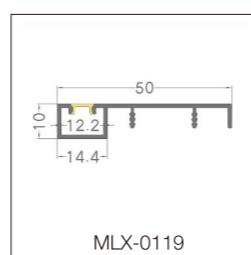
MLX-0115



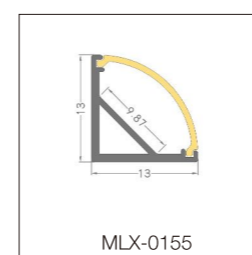
MLX-0117



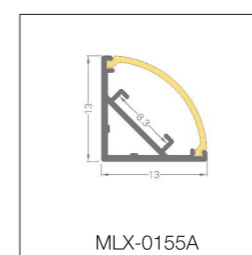
MLX-0118



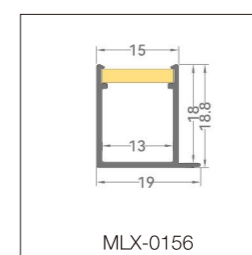
MLX-0119



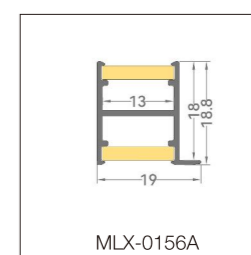
MLX-0155



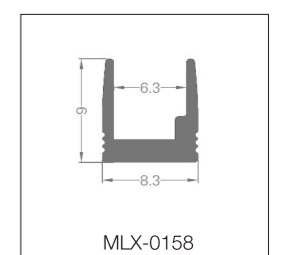
MLX-0155A



MLX-0156



MLX-0156A



MLX-0158

minalox.sk

MINALOX
LIGHTING
THE ZENITH OF
CABINET LED SOLUTION